

Bushnell®

VIVID IMAGE
2X
BRIGHTER
IN LOW LIGHT

ANGLE | RANGE
ARC
COMPENSATION

ANTI WATER+FOG
EXO
BARRIER
SMUDGE+DEBRIS



PRIME™

LASER RANGEFINDER OWNER'S GUIDE

Thank you for purchasing your new Bushnell® Prime™ Laser Rangefinder.

This manual will help you optimize your viewing experience by explaining how to utilize the rangefinder's features and how to care for it. Read the instructions carefully before using your rangefinder.

⚠ WARNING: As with any laser device, it is not recommended to directly view the emissions for long periods of time with magnified lenses.

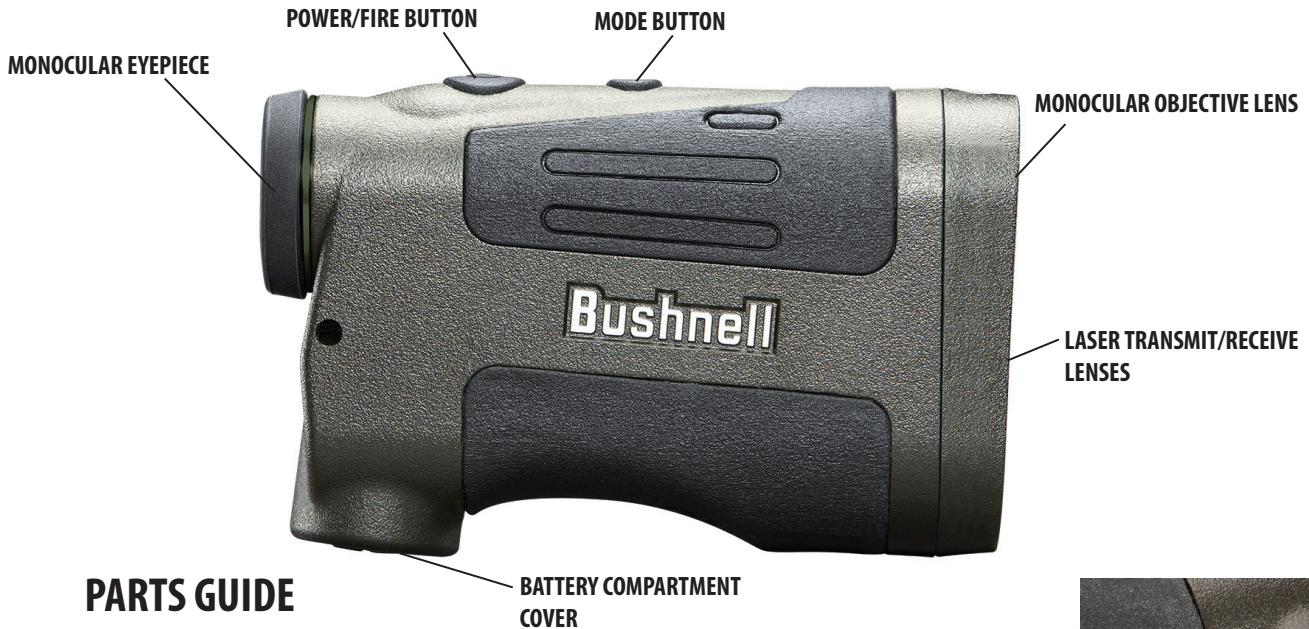
INTRODUCTION

Your Bushnell® Prime™ is an ultra compact, premium laser rangefinder with the latest Digital Technology, providing precise range readings from 5-1700 yards/5-1554 meters (for model LP1700SBL. Max range is 1300 y/1189 m for model LP1300SBL). Measuring 1.3 x 4.3 x 2.9 inches, the 6-ounce Prime™ delivers extremely fast target acquisition, with +/- 1 yard accuracy to the maximum range. The Prime laser rangefinder features Bushnell's patented ARC™ (Angle Range Compensation with Ballistics Intelligence), a new Ranging Engine for faster, more consistent response and readings, a Vivid LCD display with higher light transmission and water resistant (IPX4) construction along with EXO™ Barrier Coating on the optics.

**Note: You will get both longer and shorter maximum distances depending on the reflective properties of the particular target and the environmental conditions at the time the distance of an object is being measured. The color, surface finish, size and shape of the target all affect reflectivity and range. The brighter the color, the longer the range. White is highly reflective, for example, and allows longer ranges than the color black, which is the least reflective color. A shiny finish provides more range than a dull one. A small target is more difficult to range than a larger target. The angle to the target also has an effect. Shooting to a target at a 90 degree angle (where the target surface is perpendicular to the flight path of the emitted energy pulses) provides good range while a steep angle on the other hand, provides limited ranging. In addition, lighting conditions (e.g. the amount of sunlight) will affect the ranging capabilities of the unit. The less light (e.g. overcast skies) the farther the unit's maximum range will be. Conversely, very sunny days will decrease the unit's maximum range.*

HOW OUR DIGITAL TECHNOLOGY WORKS

The Prime laser rangefinder emits invisible, eye safe, infrared energy pulses. The Prime rangefinder's microprocessor results in instantaneous and accurate readings every time. Sophisticated digital technology instantaneously calculates distances by measuring the time it takes for each pulse to travel from the rangefinder, to the target, and back.



PARTS GUIDE

BATTERY ACTIVATION / BATTERY LIFE INDICATOR

Before first use: Remove the battery compartment cover by lifting the battery cover tab and then rotating the cover counter-clockwise. Remove and discard the red plastic disc covering the positive battery terminal, then replace the battery cover. *NOTE: It is recommended that the CR2 3-volt lithium battery be replaced at least once every 12 months. Insert it into the compartment negative end first.*



Battery Level Indicator Icon (3):

Full charge 

3/4 battery level remaining 

1/2 battery level remaining 

1/4 battery level remaining 

Battery icon blinks - battery needs to be replaced and unit will not be operable.

BASIC OPERATION

- While looking through the laser rangefinder, press and release the Power/Fire button to activate the display.
- If the display appears blurry, rotate the rubber eyecup/diopter adjustment in either direction until the display is sharp for your vision.
- Placing the aiming circle (located in the center of the display) on a target at least 5-6 yards away, depress and hold the Fire button down until the range reading is displayed below the aiming circle.
- Once a range has been acquired, you can release the Fire button. The four "crosshairs" just outside the aiming circle will go out, indicating the laser is no longer being transmitted. The display will remain on and display the last distance measurement for about 15 seconds, until the display automatically switches off to extend battery life.
- You can press the Fire button again at any time to check the range to a new target. To re-fire, press the button again.
- To scan the laser across an area and get continuously updated range readings, simply continue to hold the Fire button down and sweep the rangefinder over multiple targets. The crosshairs outside the aiming circle will flash to indicate scan operation.

DISPLAY INDICATORS/ICONS

The Prime rangefinder's display incorporates the following illuminated indicators:

Angle Range Compensation Modes

- Bow Mode (1)
- Rifle Mode (2)

Battery Level Indicator (3)

Aiming Circle/Dot (4)

Active/Scan Laser Indicator (5)

Targeting Modes

- BullsEye Mode (6)
- Brush Mode (7)

Primary Numeric Display displays Line-of-sight Distance (8)

Holdover / Bullet-drop Horizontal Distance indicators for Rifle Mode

- MOA holdover units selected (9)
- MIL (holdover units selected (10)
- IN (inch) or CM (centimeter) holdover units selected (11)
- SD = Variable Sight-In Distance (12)

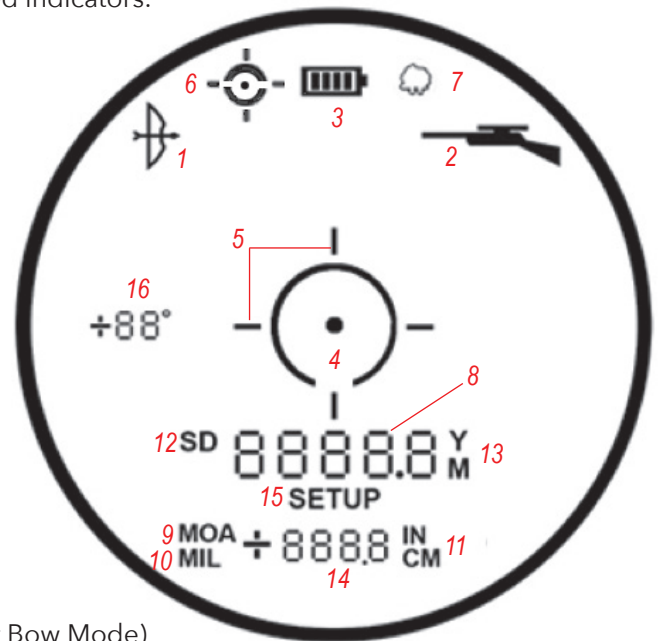
Range (Distance) Units (13): Y=Yards, M=Meters

Secondary Numeric Display (14)

(Holdover / bullet drop for Rifle mode, True Horizontal Distance for Bow Mode)


SETUP Mode (15)

Angle Indicator (16)



TARGETING MODES

The Prime laser rangefinder can be operated in one of three available targeting modes, with Standard mode as the default. To select a different targeting mode, press the Mode button briefly until the desired indicator (BullsEye or Brush) appears. To return to Standard mode, press Mode one more time after the Brush mode indicator is seen. The targeting modes are:

- **Standard Mode with Automatic SCAN** (LCD Indicator - none) This setting allows most targets to be ranged, up to 1700 or 1300 yards (depending on model). Used for moderately reflective targets that are typical of most distancing situations. The minimum distance in the standard mode is 5 yards. To use the Automatic SCAN feature, simply press and hold the Fire button, then move the rangefinder from object to object while keeping the Fire button depressed. Automatic SCAN will allow the range to be continuously updated as multiple objects are targeted. Crosshair lines flash while scanning.
- **BullsEye™ Mode with Automatic SCAN** (LCD Indicator (6) - ) This advanced mode allows easy acquisition of small targets and game without inadvertently getting distances to background targets that have stronger signal strength.

When more than one object has been acquired, only the distance of the closest object will be displayed.

With the rangefinder in BullsEye mode, align the aiming circle onto the object (i.e. deer) that you want distance to. Next, press and hold the Fire button and move the Aiming Circle slowly over the deer. If the laser beam recognized more than one object (deer and background trees), the distance of the closer object (deer) will be displayed in the LCD.

- **Brush™ Mode with Automatic SCAN** (LCD Indicator (7) - 🌳): This advanced mode allows objects such as brush and tree branches to be ignored so that distance only to background objects are displayed. When more than one object has been acquired, only the distance of the farthest object will be displayed in the LCD.

With the rangefinder in Brush mode, align the aiming circle onto the object that you want distance to. Next, press and hold the Fire button and move the Aiming Circle slowly over the object. If the laser beam recognized more than one object (closeup tree branch and a deer in the background), distance of the further object (deer) will be displayed.

TIP: While pressing the Fire button, you can move the device slowly from object to object and intentionally force the laser to hit multiple objects to ensure that you are only displaying the furthest of the objects recognized by the laser. Once the device has shut off, the unit will always default back to the last targeting mode used.

ANGLE RANGE COMPENSATION (ARC)

The Prime Laser Rangefinder with ARC™ was especially designed with hunters in mind. Your Prime rangefinder features a built-in inclinometer that solves a problem hunters have been faced with for years. Bow and rifle hunters have struggled with extreme uphill and downhill angles because of how these angles alter true horizontal distance to your target. The ARC™ solution: an integrated inclinometer provides angular data to a processor chip when targeting objects that are either uphill or downhill. This data is then combined with internal algorithmic formulas. The user selectable ARC modes allow you to adjust the performance parameters of the unit to suit your specific situation and environment. Along with the standard “line of sight” distance, when the Fire button is released, the Prime laser rangefinder’s display can also show you the true horizontal distance (in Bow Mode-see the ARC MODES section) or bullet drop/holdover (in Rifle Mode) near the bottom of the display (14), along with the angle of incline in degrees, indicated at the left side of the display (16). For example, a bowhunter in a tree stand may be aiming at a deer that is downhill at a -52° relative to his position. The line of sight distance is 32 yards, but he is likely to “overshoot” the target based on that. The THD distance (compensated for the angle) reads 23 yards. That is the distance the hunter should base his shot upon.

USING THE SETUP MENU

The Setup Menu is used to select various options, such as the ARC Mode (Bow, Rifle, etc.) and distance units (Yards or Meters) of your preference. To enter the Setup Menu after powering on the unit, hold the Mode button down until “SETUP” appears in the display (15). You will remain in the Setup Menu until you change or confirm all possible settings (varies depending on selected ARC mode), and “SETUP” is no longer displayed. Once in the Setup Menu, press the Mode button to scroll through or toggle the available items. Press the Fire button to confirm and save the currently displayed option/setting.

The first item you can select from the Setup Menu is the ARC Mode. Press the Mode button until the icon for the mode you want is displayed, then press the Fire button to confirm and continue selecting other related options/settings. More details regarding the various ARC modes are provided in the next section.

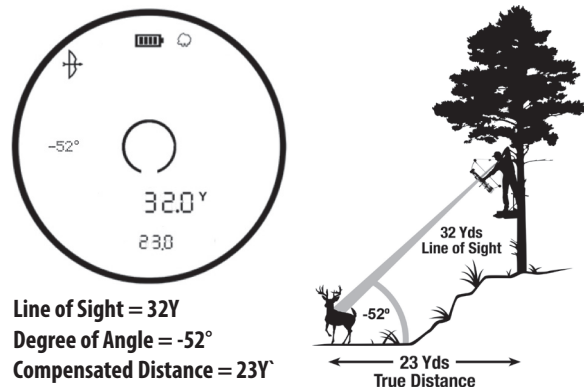
ARC (ANGLE RANGE COMPENSATION) MODES

- **REGULAR Mode** (rEE): This mode does not provide any degree of elevation or compensated distance information (no secondary display (14), only the line of sight distance (8). Select this mode (press Fire button with “rEE” displayed while in Setup) for general purpose use, or when not using the rangefinder for bow or rifle hunting applications. After confirming your selection of Regular mode, the only other item in the Setup Menu is the Unit of Measure option (13). Pressing the Mode button will toggle the Units from the default “Y” (yards) to “M” (meters). Press the Fire button to confirm your selection (leave units set to Yards, or change it to Meters) and exit the Setup Menu, returning to normal operation.
- **BOW Mode** (B): Calculates and displays the degree of incline, and the resulting true horizontal distance in yards or meters, in addition to the line of sight distance. Select this mode (press Fire button with the bow icon (1) displayed while in Setup) for bowhunting, or other use if you don’t need bullet drop/holdover information. After confirming your selection of Bow mode, the only other item in the Setup Menu is the Unit of Measure option (13). Pressing the Mode button will toggle the Units from the default “Y” (yards) to “M” (meters). Press the Fire button to confirm your selection (leave units set to Yards, or change it to metric) and exit the Setup Menu, returning to normal operation.

Bow Mode Example

The true horizontal distance is shown near the bottom of the display (14), alternating with the tilt angle in degrees. For example, a bowhunter in a tree stand may be aiming at a deer that is downhill at a -52° angle relative to his position. The line of sight distance is 32 yards, but he is likely to “overshoot” the target based on that. The THD distance (compensated for the angle) reads 23 yards. That is the distance the hunter should base his shot upon.

If he was to shoot as if the target was 32 yards away, he would shoot over the top of the deer because of the severe angle.



If in BOW mode, the line of sight distance will display in the primary numeric display and the inclination and horizontal distance will display in the secondary numeric displays. Bushnell® determined through extensive testing and interviews with high-profile bow hunting experts that multiple bow ballistic groups were not necessary. Bow-hunters want to know true horizontal distance because that is how they practice shooting, and once they confidently know that, they can make any necessary adjustments. Giving the bow-hunter anything else other than horizontal distance creates additional confusion and uncertainty.

Many people mistakenly believe that uphill shots perform differently from downhill shots because of gravity. However, it is not due to gravity, but more of an aberration of the sighting system used on bows. The sighting pin on a bow resides several inches above the mechanical axis of the arrow. For example, when one is aiming 23 degrees up an incline, the arrow is at a different angle.

- **RIFLE Mode(s)** (🏹): Calculates and displays the amount of bullet drop, at the target in inches, centimeters, Mils, or MOA. The amount of bullet drop is determined by the line of sight distance to the target, degree of elevation, along with the specific ballistic characteristics of the caliber and ammunition load. When you range your target, the line of sight, degree of elevation, and bullet-drop/holdover in inches, centimeters, Mils, or MOA will be displayed from 100 to 800 yards/meters with a maximum inclination of +/- 70°.

One of eight ballistic groups (identified as A, B, C, D, E, F, G, and H) for center fire rifles and two ballistic groups (Identified as I and J) for Black Powder / Muzzleloaders can be selected by the user, with each formula representing a given combination of caliber and loads. The ballistic groups are selected by the user via the Setup menu. After entering the Setup menu (by holding the Mode button for a few seconds), briefly press the Mode button until you see the blinking Rifle icon (2), along with the letter for the ballistic group for your preferred ammo (or load).

Knowing Which Ballistic Group To Select

Bushnell engineers have researched currently available ballistic data and grouped many of the most popular calibers and loads into eight ballistic groups (A,B,C,D,E,F,G,H). Once you know what caliber and load you are shooting simply look through the chart to determine which one of the eight ballistic groups match with your particular load and caliber. For Muzzleloaders, we have worked with PowerBelt Bullets to incorporate ballistic data into two ballistic groups (I and J). Below are a few of the most popular caliber/load combinations. A complete list of approximately 2000 caliber and load combinations can be found on Bushnell’s website (www.bushnell.com).

Popular Caliber & Load Combinations

Federal Cartridge.224 dia. 22-250 Rem, 55 gr. Bear Claw at 3600 fps	G
Federal Cartridge.224 dia. 22-250 Rem, 60 gr. Partition at 3500 fps	F
Remington Arms .224 dia. 22-250 Remington Arms , 50 gr. V-Max at 3725 FPS	H
Remington Arms .224 dia. 22-250 Remington Arms , 55 gr. PSP at 3680 FPS	G
Winchester .224 dia. 22-250 Rem, 55 gr. Ballistic Silvertip at 3680 FPS	H
Winchester .224 dia. 22-250 Rem, 55 gr. PSP at 3680 FPS	G
Federal Cartridge .277 dia. 270 Win, 150 gr. Ballistic Tip at 3060 fps	F
Federal Cartridge .277 dia. 270 Win, 150 gr. Partition at 3000 fps	F
Remington Arms .277 dia. 270 Win, 140 gr. PSPCL Ultra at 2925 FPS	E
Remington Arms .277 dia. 270 Win, 150 gr. SPCL at 2850 FPS	D
Winchester .277 dia. 270 Win, 150 gr. Partition Gold at 2930 FPS	E
Winchester .277 dia. 270 Win, 150 gr. PP-Plus at 2950 FPS	E
Federal Cartridge .308 dia. 30-06 Spring, 180 gr. AccuBond at 2700 FPS	D
Federal Cartridge .308 dia. 30-06 Spring, 180 gr. Bear Claw at 2700 FPS	D

Remington Arms .308 dia. 30-06 Springfield, 180 gr. A-Frame at 2700 FPS	D
Remington Arms .308 dia. 30-06 Springfield, 180 gr. BRPT at 2700 FPS	D
Winchester .308 dia. 30-06 Sprg, 180 gr. FailSafe at 2700 FPS	D
Winchester .308 dia. 30-06 Sprg, 180 gr. Partition Gold at 2750 FPS	D
Federal Cartridge.308 dia. 300 WSM, 180 gr. AccuBond at 2960 fps	F
Federal Cartridge.308 dia. 300 WSM, 180 gr. Bear Claw at 3025 fps	F
Winchester .308 dia. 300 WSM, 180 gr. Ballistic Silver Tip at 3010 FPS	F
Winchester .308 dia. 300 WSM, 180 gr. Fail Safe at 2970 FPS	F
Remington Arms .308 dia. 300 R.S.A.U.M., 180 gr. PSPCL Ultra at 2960 FPS	E
Remington Arms .308 dia. 300 Wby Mag, 180 gr. PSPCL at 3120 FPS	F

After you have determined which ballistic group corresponds to your caliber and load, select this ballistic group letter along with Rifle mode. The internal formula will determine amount of bullet drop/holdover in inches or centimeters based upon distance, angle, and ballistics of your caliber and load.

What if my caliber/load is not listed?

While we have taken great care to include as many calibers and brand names in our ballistics tables, new loads are always being developed. In addition, some shooters load their own ammunition with unique ballistic characteristics. If you cannot find your load in our ballistic tables, you can still use the bullet drop feature of the laser rangefinder. As above, sight in your rifle at 100 yds. Then shoot the rifle, without adjusting the riflescope, at 300 yds. Measure the bullet drop from the point of aim. Using this drop, select the ballistic group from below. If you will be shooting longer distances then you may want to check the bullet drop at 500 yds. Because there is enormous variation in rifle barrels, chambers, and hand loads, you should thoroughly test the ballistic setting before actual hunting. You may need to move up or down one group depending upon your tests.

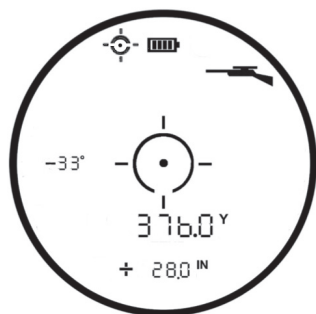
After you have confirmed your selection of Rifle mode with the ballistic group you need (by pressing the Fire button while it appears in the display), the next item is the Unit of Measure option (13). Pressing the Mode button will toggle the Units from the default "Y" (yards) to "M" (meters). Press the Fire button to confirm your selection (leave units set to Yards, or change it to metric).

Next, you will see "SD", meaning Sight-In Distance. Briefly pressing the Mode button will cycle through a choice of 100, 150, 200 or 300 yards. Press the Fire button to confirm and save the setting when your preferred sight-in distance is displayed.

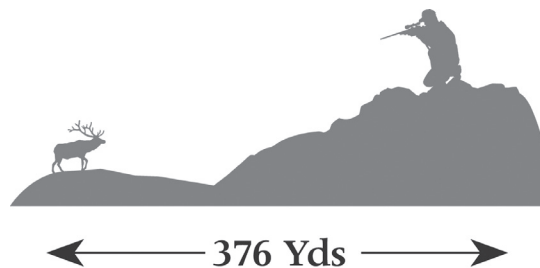
Lastly, you will have a choice of formats for the bullet drop/holdover data that will appear in the secondary numeric display (14): IN (inches)*, ML (Mils) or MOA (moa). Briefly press the Mode switch to cycle through the 3 options, pressing the Fire button to confirm and save the setting when your preferred bullet drop format is displayed. **Note: if the unit of measure was set to Meters (M), the bullet drop will be calculated and displayed in CM (centimeters) rather than inches.*

Rifle Mode Example

Line of sight is 376 yards, angle is -33 degrees, and the bullet-drop/holdover is 28 inches. ARC not only takes into account ballistic data based off your caliber and load from distances of 100-800 yards, but also compensates for any uphill and downhill angles which also affect bullet-drop.



Line of Sight = 376 Yards
Degree of Angle = -33°
Holdover/Bulletdrop = 28 Inches



-33° Angle / 28 inch Holdover

The Prime rangefinder's state-of-the-art digital technology allows the hunter or shooter to know precisely where to hold for an effective shot. This information should be treated as a helpful guide or tool and in no way should it ever replace practice and familiarity with your rifle, cartridge and load. We encourage practice shooting at different ranges so you know how your rifle, cartridge and load will perform under various conditions. Always know what is behind your bullet; if you don't know, don't take the shot.

- **Reticle Select:** The last option available in the Setup menu allows you to select your preference of reticle type for the center of the display (for all modes). Press the Mode button to cycle through Circle, Dot, and Circle with Dot (*this is the default*) options. Press the Fire button to confirm the selection of the reticle you prefer, and exit the Setup menu.

CLEANING AND GENERAL CARE

The lenses of your Bushnell Prime laser rangefinder are fully multi-coated for highest light transmission. As with any multi-coated optics, special care must be taken in cleaning the lenses. Follow these tips for proper lens cleaning:

- Blow away any dust or debris on the lens (or use a soft lens brush).
- To remove dirt or finger prints, clean with the supplied micro-fiber cloth rubbing in a circular motion. Use of a coarse cloth or unnecessary rubbing may scratch the lens surface and eventually cause permanent damage. The included washable microfiber cleaning cloth is ideal for the routine cleaning of your optics. Simply breathe lightly on the lens to provide a slight amount of moisture, then gently rub the lens with the microfiber cloth.
- For a more thorough cleaning, photographic lens tissue and photographic-type lens cleaning fluid or isopropyl alcohol may be used. Always apply the fluid to the cleaning cloth - never directly on the lens.

All exterior lens surfaces have our new EXO Barrier™ coating (in addition to full multi-coating). EXO Barrier, quite simply, is the best protective lens coating technology Bushnell has ever developed. Added at the end of the coating process, EXO Barrier molecularly bonds to the lens and fills the microscopic pores in the glass. The result is an ultra-slick coating that repels water, oil, fog, dust and debris - rain, snow, fingerprints and dirt will not stick. EXO Barrier is built to last: the bonded coating will not fade with the passage of time or normal wear and tear.

The rangefinder is manufactured and tested to withstand water exposure up to IPX4 standards. It is water resistant, but should not be submerged.

TROUBLESHOOTING

Never disassemble your laser rangefinder. Irreparable damage can result from unauthorized service attempts, which also void the warranty.

If unit does not turn on, display does not illuminate:

- Depress Power/Fire button.
- Check and if necessary, replace battery. If unit does not respond to button presses, replace the battery with a good quality CR2 3-volt Lithium battery.

If unit powers down (display goes blank when attempting to power the laser):

- The battery is either weak or low quality. Replace the battery with a new 3 -volt lithium battery (CR2).

If target range cannot be obtained:

- Make sure the display is illuminated.
- Make sure that the Power/Fire button is being depressed.
- Make sure that nothing, such as your hand or finger, is blocking the lenses at the front of the rangefinder that emit and receive the laser pulses.
- Make sure unit is held steady while depressing Power/Fire button.

NOTE: The last range reading does not need to be cleared before ranging another target. Simply aim at the new target using the display reticle, depress the power button and hold until new range reading is displayed.

Technical Specifications

SKU	Mag x Obj Lens Diam.	Max Range (Y/M) (Reflective Target)	Range to Tree (Y/M)	Range to Deer (Y/M)	Ranging Accuracy	Optical Coatings	Length (in/mm)	Weight (oz/g)
LP1700SBL	6x 24mm	1,700/1,554	1,000/914	700/640	+/- 1 yd	Fully-multi coated, EXO Barrier™	4.3/109	6.0/170
LP1300SBL	6x 24mm	1,300/1,189	800/732	600/549	+/- 1 yd	Fully-multi coated, EXO Barrier™	4.3/109	6.0/170



Products manufactured on or after April 2017 are covered by the Bushnell Lifetime Ironclad Warranty. The Ironclad Warranty is a full lifetime warranty that covers the lifetime of this Product. Each Product has a defined lifetime; lifetimes can range from 1 to 30 years. This Product's lifetime can be found at the website listed below and/or on the Bushnell webpage specific to this Product.

We warrant that this Product is free from defects in materials and workmanship and will meet all represented performance standards for the lifetime of this Product. If this Product isn't working properly due to a covered defect, we will, at our option, either repair or replace it and ship it back to you at no charge. This warranty is fully transferable and does not require a receipt, warranty card, or product registration. This warranty does not cover the following: electronic components; batteries; cosmetic damage; damage caused by failing to properly maintain the product; loss; theft; damage as a result of unauthorized repair, modification, or disassembly; intentional damage, misuse, or abuse; and ordinary wear and tear. This Warranty will be void if the date stamp or other serialization codes have been removed from the Product.

To view the full warranty and find details on how to request service under the warranty, go to our website at www.bushnell.com/warranty. Alternatively, you can request a copy of the warranty by calling us at 1-800-423-3537 or writing to us at one of the following addresses:

IN U.S.A. Send To:

Bushnell Outdoor Products
Attn.: Repairs
9200 Cody
Overland Park, Kansas 66214

IN CANADA Send To:

Bushnell Outdoor Products
Attn.: Repairs
140 Great Gulf Drive, Unit B
Vaughan, Ontario L4K 5W1

For products purchased outside the United States or Canada please contact your local dealer for applicable warranty information.

This warranty gives you specific legal rights.
You may have other rights which vary from country to country.

©2019 Bushnell Outdoor Products

 **WARNING: This product uses a Lithium based battery. Lithium batteries can overheat and cause damage if physically abused. Do not use batteries that are damaged or show signs of physical wear.**

FCC Statement

This device complies with part 15 of the FCC Rules. Operation is subject to the following two conditions: (1) This device may not cause harmful interference, and (2) this device must accept any interference received, including interference that may cause undesired operation.

This equipment has been tested and found to comply with the limits for a Class B digital device, pursuant to Part 15 of the FCC Rules. These limits are designed to provide reasonable protection against harmful interference in a residential installation. This equipment generates, uses and can radiate radio frequency energy and, if not installed and used in accordance with the instructions, may cause harmful interference to radio communications. However, there is no guarantee that interference will not occur in a particular installation. If this equipment does cause harmful interference to radio or television reception, which can be determined by turning the equipment off and on, the user is encouraged to try to correct the interference by one or more of the following measures:

- Reorient or relocate the receiving antenna.
- Increase the separation between the equipment and receiver.
- Connect the equipment into an outlet on a circuit different from that to which the receiver is connected.
- Consult the dealer or an experienced radio/TV technician for help.

Shielded interface cable must be used with the equipment in order to comply with the limits for a digital device pursuant to Subpart B of Part 15 of FCC Rules. Specifications and designs are subject to change without any notice or obligation on the part of the manufacturer.

Important Note: Radiation Exposure Statement

- This equipment complies with FCC radiation exposure limits set forth for an uncontrolled environment. This equipment should be installed and operated with minimum distance 0cm between the radiator and your body.
- This transmitter must not be co-located or operating in conjunction with any other antenna or transmitter.



FDA SAFETY

Class 1 laser product in accordance with IEC 60825-1:2007.

Complies with 21 CFR 1040.10 and 1040.11 for laser products except for deviations pursuant to Laser Notice No. 50, dated June 24, 2007.

Caution: There are no user controls, adjustments or procedures. Performance of procedures other than those specified herein may result in access to invisible laser light.

Industry Canada Statement :

This device complies with ISED's license-exempt RSSs. Operation is subject to the following two conditions: (1) This device may not cause harmful interference, and (2) this device must accept any interference received, including interference that may cause undesired operation.

Le présent appareil est conforme aux CNR d'ISED applicables aux appareils radio exempts de licence. L'exploitation est autorisée aux deux conditions suivantes: (1) le dispositif ne doit pas produire de brouillage préjudiciable, et (2) ce dispositif doit accepter tout brouillage reçu, y compris un brouillage susceptible de provoquer un fonctionnement indésirable.

Radiation Exposure Statement / Déclaration d'exposition aux radiations :

This device complies with the Industry Canada portable RF exposure limit set forth for an uncontrolled environment and is safe for the intended operation as described in this manual. Further RF exposure reduction can be achieved if the product can be kept as far as possible from the user's body or if the device is set to a lower output power if such function is available.

Le produit est conforme aux limites d'exposition pour les appareils portables RF pour les Etats-Unis et le Canada établies pour un environnement non contrôlé.

Le produit est sûr pour un fonctionnement tel que décrit dans ce manuel. La réduction aux expositions RF peut être augmentée si l'appareil peut être conservé aussi loin que possible du corps de l'utilisateur ou que le dispositif est réglé sur la puissance de sortie la plus faible si une telle fonction est disponible.

Patent #'s: 7,658,031 | 8,081,298

Patent Pending: 6,542,302

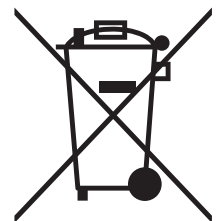
Disposal of Electric and Electronic Equipment

(Applicable in the EU and other European countries with separate collection systems)

This equipment contains electric and/or electronic parts and must therefore not be disposed of as normal household waste. Instead, it should be disposed at the respective collection points for recycling provided by the communities. For you, this is free of charge.

If the equipment contains exchangeable (rechargeable) batteries, these too must be removed before and, if necessary, in turn be disposed of according to the relevant regulations (see also the respective comments in this unit's instructions).

Further information about the subject is available at your community administration, your local waste collection company, or in the store where you purchased this equipment.



Nous vous remercions de nous avoir fait confiance en achetant le nouveau télémètre laser Bushnell® Prime™.

Ce manuel vous aidera à optimiser votre expérience visuelle en vous expliquant comment prendre soin du télémètre et en utiliser les fonctionnalités. Lisez attentivement les instructions avant d'utiliser votre télémètre.

AVERTISSEMENT : comme pour tout appareil laser, il est recommandé de ne pas regarder directement les émissions avec des lentilles grossissantes pendant des périodes prolongées.

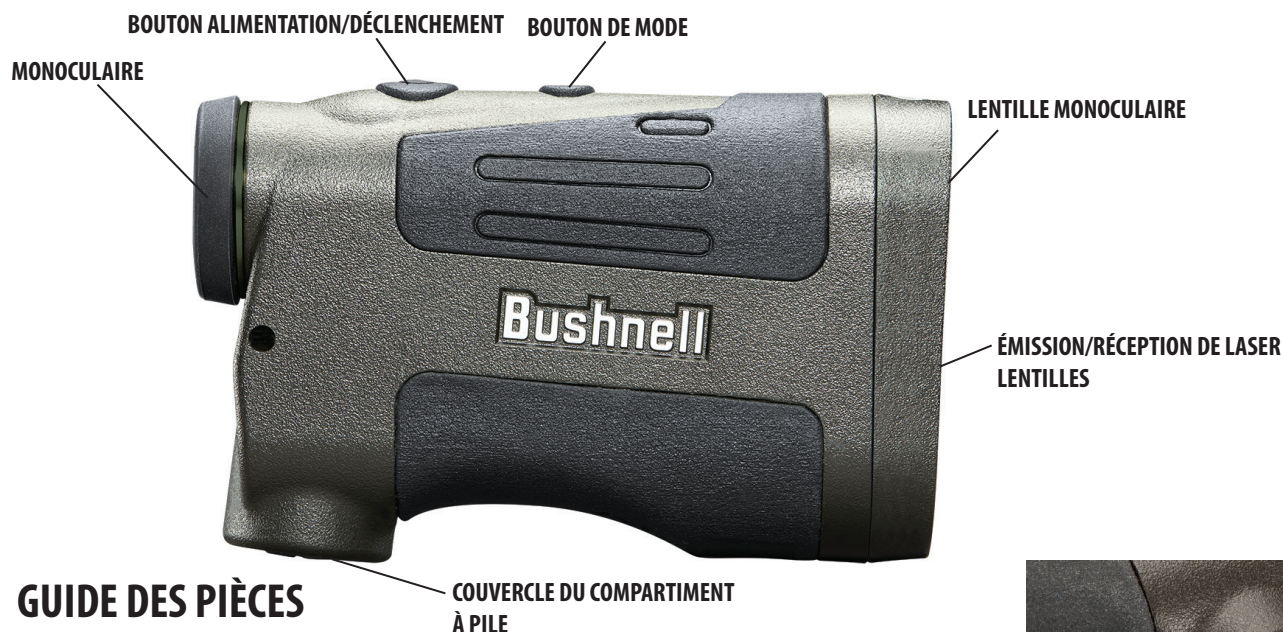
PRÉSENTATION

Votre Bushnell® Prime™ est un télémètre laser ultracompact, haute qualité, qui intègre une technologie numérique de dernière génération et fournit des distances précises de 5 à 1554 mètres (5 à 1700 yards)(modèle LP1700SBL uniquement). La portée maximale du modèle LP1300SBL est de 1300 yards/1189 mètres. Avec ses dimensions de 3,3 x 10,9 x 7,4 centimètres (1,3 x 4,3 x 2,9 pouces), le Prime™ ne pèse que 170 grammes et permet une acquisition extrêmement rapide des cibles, avec une précision de +/- 1 yard jusqu'à la portée maximale. Le télémètre laser Bushnell Prime est équipé du système ARC™ breveté (Compensation de la portée angulaire par analyse balistique), un nouveau moteur de télémétrie pour des mesures et des réponses plus rapides et plus cohérentes, un écran LCD Vivid à transmission lumineuse plus élevée et résistant à l'eau (IPX4) ainsi que d'optiques recouvertes d'un revêtement barrière EXO™.

* Remarque : la distance maximale obtenue peut être plus longue ou plus courte, selon les propriétés réfléchissantes de la cible et les conditions environnementales au moment de la mesure. La couleur, la finition de la surface, la taille et la forme de la cible peuvent modifier la réflectivité et la portée. Plus la couleur est vive, plus la portée est longue. Par exemple, le blanc est très réfléchissant et génère une portée plus longue que le noir, qui est la couleur la moins réfléchissante. Un aspect brillant offre une plus grande portée qu'un aspect terne. La distance d'une petite cible est plus difficile à mesurer que celle d'une grande. L'angle de la cible joue également un rôle. Viser une cible avec un angle de 90 degrés (surface de la cible perpendiculaire à la trajectoire des impulsions d'énergie émises) assure une bonne portée, mais un angle plus prononcé peut limiter celle-ci. De plus, les conditions d'éclairage (par exemple, la quantité de lumière naturelle) modifient les capacités de calcul de distance de l'appareil. Plus la lumière est faible (par exemple, un ciel couvert), plus la portée maximale de l'appareil est importante. À l'inverse, la portée maximale de l'appareil diminue lors des journées très ensoleillées.

FONCTIONNEMENT DE NOTRE TECHNOLOGIE NUMÉRIQUE

Le télémètre laser Prime émet des impulsions d'énergie infrarouges invisibles et sans danger pour les yeux. Le microprocesseur du télémètre Prime génère des relevés instantanés et précis à chaque fois. Cette technologie numérique sophistiquée calcule instantanément les distances en mesurant le temps nécessaire pour que chaque impulsion envoyée à la cible revienne au télémètre.



ACTIVATION DE LA BATTERIE/INDICATEUR D'AUTONOMIE

Avant la première utilisation : retirez le couvercle du compartiment à pile en soulevant la languette, puis en faisant tourner le couvercle dans le sens contraire des aiguilles d'une montre. Retirez et jetez le disque en plastique rouge sur la borne + de la pile, puis remettez le couvercle en place. **REMARQUE** : il est recommandé de remplacer la pile au lithium CR2 de 3 volts au moins une fois tous les 12 mois. Insérez-la dans le compartiment avec la borne - en premier.



Icônes indiquant le niveau de charge de la pile (3) :

Niveau de batterie 100 % 

Niveau de batterie 75 % 

Niveau de batterie 50 % 

Niveau de batterie 25 % 

Indicateur de niveau de charge clignotant : la pile doit être remplacée pour que l'appareil puisse fonctionner.

FONCTIONNEMENT DE BASE

- Tout en regardant à travers le télémètre laser, appuyez et relâchez le bouton d'alimentation/déclenchement pour activer l'affichage.
- Si l'affichage est flou, tournez le réglage de dioptre/ocillon en caoutchouc dans l'un ou l'autre sens, jusqu'à obtenir une vision nette.
- En plaçant le cercle de visée (au centre de l'affichage) sur une cible située au moins à 4,5 ou 5,5 mètres (5-6 yards), appuyez et maintenez enfoncé le bouton de déclenchement jusqu'à ce que la distance s'affiche en dessous du cercle de visée.
- Dès que la distance est obtenue, vous pouvez relâcher le bouton de déclenchement. Les quatre réticules entourant le cercle de visée disparaîtront, indiquant que le laser n'est plus transmis. L'écran restera actif et affichera la dernière distance mesurée, pendant 15 secondes, avant de s'éteindre automatiquement pour prolonger l'autonomie de la pile.
- Vous pouvez à nouveau appuyer sur le bouton de déclenchement à tout moment, afin de connaître la distance d'une nouvelle cible. Pour effectuer un nouveau déclenchement, appuyez à nouveau sur le bouton.
- Pour balayer le laser dans une zone donnée et obtenir des relevés de portée actualisés en permanence, maintenez simplement le bouton d'alimentation enfoncé tout en déplaçant lentement le télémètre. Le réticule entourant le cercle de visée clignote pour signaler l'opération de mesure de zone.

ICÔNES/INDICATEURS AFFICHÉS

L'écran du télémètre Prime affiche les indicateurs lumineux suivants :

Modes de compensation de la portée angulaire (ARC)

- Mode Arc (1)
- Mode Fusil (2)

Indicateur de niveau de charge de la pile (3)

Cercle/point de visée (4)

Indicateur de laser/balayage actif (5)

Modes de ciblage

- Mode BullsEye (6)
- Mode Brush (7)

L'affichage numérique principal indique la distance de la ligne de mire (8)

Indicateurs de distance horizontale de report/chute de balle pour le mode Fusil

- Unité de report MOA sélectionnée (9)
- Unité de report MIL sélectionnée (10)
- Unité de report IN (pouce) ou CM (centimètre) sélectionnée (11)
- SD = Distance de visée variable (12)

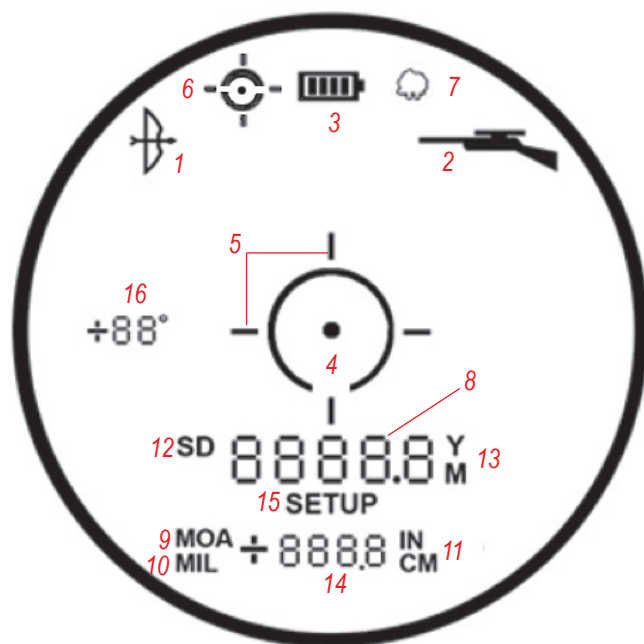
Unité de portée (distance) (13) : Y = Yards, M = Mètres

Affichage numérique secondaire (14)

(Retenue/chute de balle pour le mode Fusil, distance horizontale réelle pour le mode Arc)


Mode SETUP (15)

Indicateur angulaire (16)




MODES DE CIBLAGE

Le télémètre laser Prime propose trois modes de ciblage. Le mode Standard est le mode par défaut. Pour changer de mode de ciblage, appuyez brièvement sur le bouton Mode jusqu'à ce que l'indicateur souhaité (BullsEye ou Brush) s'affiche. Pour revenir au mode Standard, appuyez une fois sur le bouton Mode lorsque l'indicateur Brush est affiché. Les modes de ciblage sont les suivants :

- **Mode Standard avec balayage automatique** (aucun indicateur affiché) : ce mode permet de calculer la distance de la plupart des cibles, jusqu'à 1189 ou 1554 mètres (1300 ou 1700 yards) (selon les modèles). Il convient dans la plupart des cas, pour des cibles moyennement réfléchissantes. La distance minimale du mode Standard est de 4,6 mètres (5 yards). Pour utiliser la fonction de balayage automatique, il suffit d'appuyer et de maintenir enfoncé le bouton de déclenchement, puis de diriger le télémètre d'un objet à un autre tout en maintenant le bouton de déclenchement enfoncé. Le balayage automatique met à jour la distance au fur et à mesure que les différents objets sont ciblés. Les lignes du réticule clignotent pendant le balayage.
- **Mode BullsEye™ avec balayage automatique** (Indicateur LCD (6) - ) Ce mode avancé permet l'acquisition facile de petites cibles et de petits gibiers sans pour autant obtenir la distance des cibles en arrière-plan qui renvoient un signal plus puissant.

Lorsque le télémètre a acquis plus d'un objet, seule la distance de l'objet le plus proche s'affiche.

Lorsque le télémètre est en mode BullsEye, alignez le cercle de visée sur l'objet (par ex., l'animal) dont vous souhaitez connaître la distance. Ensuite, appuyez et maintenez enfoncé le bouton de déclenchement et déplacez lentement le cercle de visée sur l'animal. Si le faisceau laser reconnaît plus d'un objet (animal et arbres en arrière-plan), la distance de l'objet le plus proche (l'animal) s'affichera sur l'écran LCD.

- **Mode Brush™ avec balayage automatique** (Indicateur LCD (7) -  ce mode avancé permet d'ignorer les objets tels que les buissons et les branches d'arbre, pour n'obtenir que la distance des objets en arrière-plan. Lorsque le télémètre a acquis plus d'un objet, seule la distance de l'objet le plus éloigné s'affiche sur l'écran LCD.

Lorsque le télémètre est en mode Brush, alignez le cercle de visée sur l'objet dont vous souhaitez connaître la distance. Ensuite, appuyez et maintenez enfoncé le bouton de déclenchement et déplacez lentement le cercle de visée sur l'objet. Si le faisceau laser reconnaît plus d'un objet (une branche d'arbre en avant-plan et un animal en arrière-plan), la distance de l'objet le plus éloigné (l'animal) sera affichée.

CONSEIL : lorsque vous appuyez sur le bouton de déclenchement, vous pouvez déplacer lentement l'appareil d'un objet à un autre et forcer le laser à viser plusieurs objets afin de vous assurer que la distance affichée concerne l'objet le plus éloigné. Une fois l'appareil éteint, il revient toujours par défaut au dernier mode de ciblage utilisé.

COMPENSATION DE LA PORTÉE ANGULAIRE ARC (ANGLE RANGE COMPENSATION)

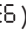

Le télémètre laser Prime, doté de la technologie ARC™, a été tout spécialement conçu pour les chasseurs. Votre télémètre Prime intègre un inclinomètre qui résout un problème auquel les chasseurs sont confrontés depuis des années. Quelle que soit l'arme utilisée (arc ou fusil), les configurations de terrain très pentues altèrent le calcul de la distance horizontale réelle de la cible. La solution, l'ARC™ : un inclinomètre intégré qui transmet les données angulaires à une puce lorsque les objets ciblés sont en hauteur ou en contrebas. Ces données sont ensuite traitées avec des formules algorithmiques internes. Les modes ARC disponibles vous permettent de régler les paramètres de performance de l'appareil en fonction de votre situation et de l'environnement. Outre la distance standard (ligne de mire), lorsque vous appuyez sur le bouton de déclenchement, l'écran du télémètre laser Prime peut afficher la distance horizontale réelle (en mode Arc - Voir la section MODES D'ARC) ou la distance de report/chute de balle (en mode Fusil) en bas de l'écran (14), ainsi que l'angle d'inclinaison en degrés, indiqué sur le côté gauche de l'écran (16). Par exemple, un chasseur à l'arc à l'affût dans un arbre peut viser un animal en contrebas, à un angle de -52° par rapport à sa position. La distance de la ligne de mire est de 29 mètres (32 yards), mais le chasseur risque de tirer au-dessus de la cible s'il se base sur cette information. La distance horizontale réelle (compensée en fonction de l'angle) est de 21 mètres (23 yards). Il s'agit de la distance sur laquelle le chasseur doit baser son tir.

UTILISATION DU MENU SETUP

Le menu Setup permet de sélectionner plusieurs options, comme le mode ARC (Arc, Fusil, etc.) et les unités de distance (Mètres ou Yards). Pour accéder au menu Setup, allumez l'appareil, appuyez sur le bouton Mode jusqu'à ce que la mention « SETUP » s'affiche à l'écran (15). Le menu SETUP reste actif tant que vous n'avez pas modifié ou confirmé tous les paramètres possibles (nombre variable selon le mode ARC sélectionné), et la mention « SETUP » disparaît de l'écran. Une fois dans le menu SETUP, appuyez sur le bouton Mode pour naviguer parmi les options disponibles. Appuyez sur le bouton de déclenchement pour confirmer et enregistrer l'option ou le paramètre affiché.

Le premier élément sélectionnable dans le menu SETUP est le mode ARC. Appuyez sur le bouton Mode jusqu'à ce que l'icône du mode souhaité s'affiche, puis appuyez sur le bouton de déclenchement pour confirmer et sélectionner d'autres options ou paramètres. Pour en savoir plus sur les différents modes ARC disponibles, consultez la section suivante.

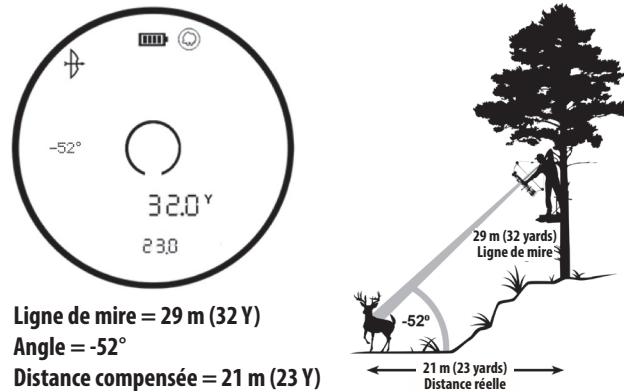
MODES ARC (ANGLE RANGE COMPENSATION)

- **Mode Normal** (): ce mode ne fournit ni angle de hausse ni distance compensée (aucun affichage secondaire (14), uniquement la distance la ligne de mire (8)). Sélectionnez ce mode (en appuyant sur le bouton de déclenchement lorsque l'écran affiche « rE6 » dans le menu SETUP) pour une utilisation générique ou lorsque vous n'utilisez pas le télémètre pour chasser à l'arc ou au fusil. Lorsque vous confirmez la sélection du mode Normal, la seule autre option dans le menu SETUP est l'unité de mesure (13). Appuyez sur le bouton Mode pour remplacer l'unité par défaut « Y » (yards) par « M » (mètres). Appuyez sur le bouton de déclenchement pour confirmer votre sélection (Yards ou Mètres) et quittez le menu SETUP pour revenir au fonctionnement normal.
- **Mode Tir à l'arc** (): calcule et affiche le degré d'inclinaison et la distance horizontale réelle en yards ou mètres, en plus de la distance de la ligne de mire. Sélectionnez ce mode (en appuyant sur le bouton de déclenchement lorsque l'écran affiche l'icône (1) dans le menu SETUP) si vous chassez à l'arc ou si vous n'avez pas besoin des informations de report/chute de balle. Lorsque vous confirmez la sélection du mode Arc, la seule autre option dans le menu SETUP est l'unité de mesure (13). Appuyez sur le bouton Mode pour remplacer l'unité par défaut « Y » (yards) par « M » (mètres). Appuyez sur le bouton de déclenchement pour confirmer votre sélection (Yards ou Mètres) et quittez le menu SETUP pour revenir au fonctionnement normal.

Exemple de mode Arc

La distance horizontale réelle s'affiche en bas de l'écran (14), en alternance avec l'angle d'inclinaison en degrés. Par exemple, un chasseur à l'arc à l'affût dans un arbre peut viser un animal en contrebas, à un angle de -52° par rapport à sa position. La distance de la ligne de mire est de 29 mètres (32 yards), mais le chasseur risque de tirer au-dessus de la cible s'il se base sur cette information. La distance horizontale réelle (compensée en fonction de l'angle) est de 21 mètres (23 yards). Il s'agit de la distance sur laquelle le chasseur doit baser son tir.

Avec un tir réglé à 29 mètres (32 yards), vous passeriez au-dessus de l'animal à cause de l'angle d'inclinaison.



En mode Tir à l'arc, la distance de la ligne de mire s'affiche dans l'affichage numérique principal, tandis que l'inclinaison et la distance horizontale s'affichent dans l'affichage numérique secondaire. Après des tests complets et des échanges avec d'éminents spécialistes de la chasse à l'arc, Bushnell® a conclu que multiplier les groupes balistiques d'arcs n'était pas nécessaire. Les chasseurs à l'arc veulent connaître la distance horizontale réelle, car c'est sur cette information qu'ils basent leur tir. Une fois cette information connue, ils peuvent faire les réglages appropriés. L'affichage de toute information autre que la distance horizontale est source de confusion et d'incertitude.

Beaucoup pensent, à tort, que les tirs vers le haut se comportent différemment des tirs vers le bas, en raison de la gravité. En fait, la gravité n'est pas en cause. Il s'agit d'une aberration du système de visée utilisé sur les arcs. Le viseur d'un arc est situé plusieurs centimètres au-dessus de l'axe mécanique de la flèche. Par exemple, lorsqu'on vise vers le haut selon un angle de 23 degrés, la flèche a un angle différent.

- **Mode(s) Fusil** (🔫) : calcule et affiche la chute de balle au niveau de la cible dans différentes unités : pouces, centimètres, Mil ou MOA. La chute de balle est déterminée par la distance de la ligne de mire, l'angle de hausse ainsi que par les caractéristiques balistiques spécifiques du calibre et la charge de poudre. Lorsque vous mesurez la distance de votre cible, la ligne de mire, l'angle de hausse et la chute/le report de balle en pouces, centimètres, Mil ou MOA s'affichent entre 100 et 800 yards/mètres avec une inclinaison maximale de +/- 70°.

L'utilisateur a le choix entre huit groupes balistiques (nommés A, B, C, D, E, F, G et H) pour les fusils à percussion centrale et deux groupes balistiques (nommés I et J) pour les fusils à poudre noire/chargement par la bouche, chaque formule représentant une combinaison particulière de calibre et de charge. La sélection des groupes balistiques s'effectue dans le menu SETUP. Une fois dans le menu SETUP (en maintenant le bouton Mode enfoncé pendant quelques secondes), appuyez brièvement sur le bouton Mode jusqu'à ce que l'icône Fusil clignote (2), et que la lettre correspondant au groupe balistique de votre munition (ou charge) favorite s'affiche.

Comment choisir le bon groupe balistique

Les ingénieurs de Bushnell ont analysé les données balistiques actuellement disponibles et regroupé de nombreux calibres et charges très répandus en huit groupes balistiques (A, B, C, D, E, F, G et H). Dès que vous connaissez le calibre et la charge à utiliser, consultez le tableau pour identifier lequel des huit groupes balistiques correspond à votre charge et à votre calibre. Pour les fusils à chargement par la bouche, nous avons travaillé avec PowerBelt Bullets pour intégrer les données balistiques dans deux groupes balistiques (I et J). La liste ci-dessous reprend certaines des combinaisons de calibre et de charge les plus répandues. Une liste complète d'environ 2 000 combinaisons de calibre et de charge est disponible sur le site Web de Bushnell (www.bushnell.com).

Combinaisons de calibre et de charge les plus courantes

Federal Cartridge, diam. .224 22-250 Rem, 55 gr. Bear Claw, 3600 fps (1097 m/s)	G
Federal Cartridge, diam. .224 22-250 Rem, 60 gr. Partition, 3500 fps (1066 m/s)	F
Remington Arms, diam. .224 22-250 Remington Arms, 50 gr. V-Max, 3725 FPS (1135 m/s)	H
Remington Arms diam. .224. 22-250 Remington Arms , 55 gr. PSP, 3680 FPS (1121 m/s)	G
Winchester, diam. .224 22-250 Rem, 55 gr. Ballistic Silvertip, 3680 FPS (1121 m/s)	H
Winchester, diam. .224. 22-250 Rem, 55 gr. PSP, 3680 FPS (1121 m/s)	G
Federal Cartridge, diam. .277. 270 Win, 150 gr. Ballistic Tip, 3060 FPS (932 m/s)	F
Federal Cartridge, diam. .277 270 Win, 150 gr. Partition, 3000 fps (914 m/s)	F
Remington Arms diam. .277 270 Win, 140 gr. PSPCL Ultra, 2925 FPS (891 m/s)	E
Remington Arms, diam. .277 270 Win, 150 gr. SPCL, 2850 FPS (868 m/s)	D
Winchester, diam. .277 270 Win, 150 gr. Partition Gold, 2930 FPS	E
Winchester, diam. .277 270 Win, 150 gr. PP-Plus, 2950 FPS (899 m/s)	E
Federal Cartridge, diam. .308 30-06 Spring, 180 gr. AccuBond, 2 700 FPS (822 m/s)	D
Federal Cartridge, diam. .308 30-06 Springfield, 180 gr. Bear Claw, 2 700 FPS (822 m/s)	D
Remington Arms, diam. .308 30-06 Springfield, 180 gr. A-Frame, 2 700 FPS (822 m/s)	D

Remington Arms, diam. .308 30-06 Springfield, 180 gr. BRPT, 2 700 FPS (822 m/s)	D
Winchester, diam. .308. 30-06 Springfield, 180 gr. FailSafe, 2 700 FPS (822 m/s)	D
Winchester, diam. .308 30-06 Springfield, 180 gr. Partition Gold, 2 750 FPS (838 m/s)	D
Federal Cartridge, diam. .308 300 WSM, 180 gr. AccuBond, 2 960 FPS (902 m/s)	F
Federal Cartridge, diam. .308 300 WSM, 180 gr. Bear Claw, 3025 FPS (921 m/s)	F
Winchester, diam. .308. 300 WSM, 180 gr. Ballistic Silver Tip, 3010 FPS (917 m/s)	F
Winchester, diam. .308. 300 WSM, 180 gr. Fail Safe, 2 970 FPS (905 m/s)	F
Remington Arms, diam. .308. 300 R.S.A.U.M., 180 gr. PSPCL Ultra, 2960 FPS (902 m/s)	E
Remington Arms, diam. .308. 300 Wby Mag, 180 gr. PSPCL, 3120 FPS (950 m/s)	F

Après avoir déterminé à quel groupe balistique correspondent votre calibre et votre charge, sélectionnez la lettre de ce groupe balistique et le mode Fusil. La formule interne détermine l'ampleur de la chute de balle/du report en pouces ou en centimètres, selon la distance, l'angle et les caractéristiques balistiques de votre calibre et de votre charge.

Que faire si mon calibre/charge n'est pas sur la liste?

Nous avons essayé d'inclure le plus de calibres et de marques dans nos tableaux balistiques, mais de nouvelles charges sont développées en permanence. Par ailleurs, certains tireurs chargent leurs propres munitions avec des caractéristiques balistiques uniques. Si vous ne trouvez pas votre charge dans nos tableaux balistiques, vous pouvez utiliser la fonction de chute de balle du télémètre laser. Comme nous l'avons vu plus haut, réglez votre fusil sur 91 mètres (100 yards). Ensuite, tirez avec le fusil, sans régler le télémètre, à 273 mètres (300 yards). Mesurez la chute de balle par rapport au point de visée. Sur la base de cette valeur de chute, sélectionnez le groupe balistique correspondant dans le tableau ci-dessous. Si vous tirez sur des distances plus longues, il est conseillé de vérifier la chute de balle à 455 mètres (500 yards). En raison des énormes différences dans les canons, les chambres et les charges manuelles, il est conseillé de tester le réglage balistique avant d'aller chasser. Il se peut que vous deviez opter pour le groupe supérieur ou inférieur, selon vos tests.

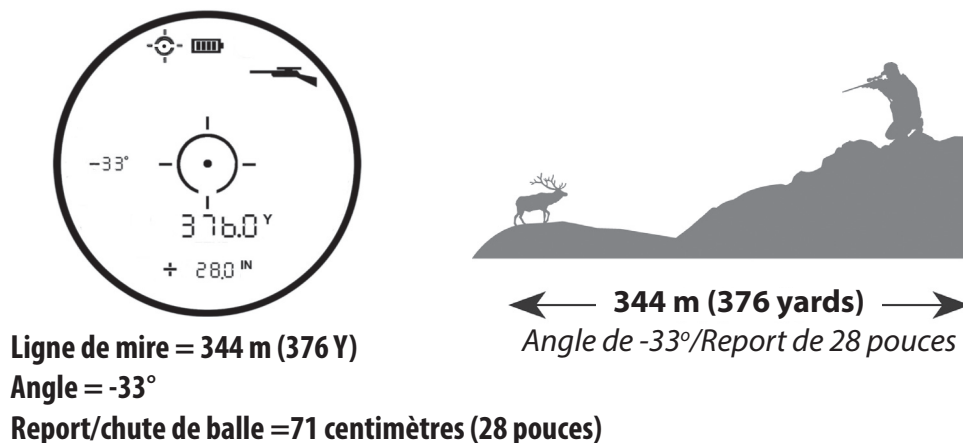
Après avoir confirmé votre sélection ou le mode Fusil avec le groupe balistique dont vous avez besoin (en appuyant sur le bouton de déclenchement lorsqu'il apparaît à l'écran), l'option suivante est l'unité de mesure (13). Appuyez sur le bouton Mode pour remplacer l'unité par défaut « Y » (yards) par « M » (mètres). Appuyez sur le bouton de déclenchement pour confirmer votre sélection (Yards ou Mètres).

Ensuite, la mention « SD » (Sight-In Distance, distance de visée) s'affiche. Appuyez brièvement sur le bouton Mode pour naviguer entre 91 mètres (100 yards), 137 mètres (150 yards), 182 mètres (200 yards) ou 273 mètres (300 yards). Appuyez sur le bouton de déclenchement pour confirmer et enregistrer le réglage lorsque votre distance de visée favorite s'affiche.

Enfin, vous avez le choix entre plusieurs formats pour la chute de balle/le report qui va apparaître dans l'affichage numérique secondaire (14), en alternance avec l'angle d'inclinaison en degrés : IN (pouces)*, ML (Mils) ou MOA (minutes d'angle). Appuyez brièvement sur le bouton Mode pour naviguer entre les 3 options, ou sur le bouton de déclenchement pour confirmer et sélectionner le réglage lorsque votre format de chute de balle favori s'affiche. * Remarque : si l'unité de mesure sélectionnée est Mètres (M), la chute de balle est calculée et s'affiche en CM (centimètres) et non en pouces.

Exemple de mode Fusil

La ligne de mire est de 343 mètres (376 yards), l'angle est de -33 degrés et la chute de balle/le report est de 71 centimètres (28 pouces). La fonction ARC ne prend pas seulement en compte les données balistiques basées sur votre calibre et votre charge par rapport à des distances de 91 à 728 mètres (100 à 800 yards), mais compense également l'impact d'un angle d'inclinaison vers le haut ou vers le bas sur la chute de balle.



La technologie numérique de pointe du télémètre Prime permet au chasseur ou au tireur de savoir précisément où viser pour toucher la cible. Cette information doit être considérée comme une référence ou une aide. Mais elle ne doit en aucun cas remplacer la pratique et la connaissance de vos fusil, cartouche et charge. Nous vous conseillons de vous entraîner au tir sur différentes distances pour savoir comment votre fusil, votre cartouche et votre charge se comportent dans différentes conditions. Sachez toujours ce qu'il y a derrière votre cartouche. Si vous avez un doute, ne tirez pas.

- **Sélection du réticule** : La dernière option disponible dans le menu Setup vous permet de sélectionner le type de réticule de votre choix à afficher au centre de l'écran (pour tous les modes). Appuyez sur le bouton Mode pour faire défiler les options Cercle, Point et Cercle avec point (*la valeur par défaut*). Appuyez sur le bouton de déclenchement pour confirmer la sélection du réticule souhaité, puis quittez le menu Setup.

NETTOYAGE ET ENTRETIEN GÉNÉRAL

Les lentilles de votre télémètre laser Bushnell Prime font l'objet d'un traitement multicouche pour une transmission lumineuse maximale. Comme pour tout matériel optique multicouche, un soin particulier doit être apporté au nettoyage des lentilles. Suivez ces conseils :

- Retirez la poussière ou les débris situés sur les lentilles en soufflant dessus (ou en utilisant une brosse douce).
- Pour retirer les impuretés ou les traces de doigts, utilisez le chiffon en microfibre fourni et frottez avec un mouvement circulaire. L'utilisation d'un chiffon rêche ou un frottement trop marqué risquent de rayer la surface de la lentille et de l'endommager définitivement. Le chiffon en microfibre lavable fourni convient parfaitement au nettoyage régulier de votre matériel optique. Il suffit de souffler légèrement sur la lentille pour apporter un peu d'humidité, puis de frotter délicatement avec le chiffon en microfibre.
- Pour un nettoyage minutieux, vous pouvez également utiliser un tissu ou un liquide nettoyant pour objectif photographique, ou encore de l'alcool isopropylique. Appliquez toujours le liquide sur le chiffon, jamais directement sur l'objectif.

Toutes les surfaces extérieures des lentilles utilisent notre nouveau revêtement EXO Barrier™ (outre un traitement multicouche toutes surfaces). EXO Barrier est tout simplement la meilleure technologie de revêtement de protection des lentilles jamais développée par Bushnell. Ajouté à la toute fin du processus de revêtement, EXO Barrier se lie moléculairement à la lentille et remplit les pores microscopiques dans le verre. Il en résulte une protection ultraslisse qui repousse l'eau, l'huile, le brouillard, la poussière et les débris. En clair, la pluie, la neige, les traces de doigts et la saleté n'adhèrent pas. EXO Barrier est conçu pour durer : ce revêtement adhérent ne s'atténue pas au fil du temps ni en raison de l'usure normale.

Le télémètre est fabriqué et testé pour offrir un niveau d'étanchéité à l'eau IPX4. Il est étanche, mais ne doit pas être immergé dans un liquide.

DÉPANNAGE

Ne démontez jamais votre télémètre laser. Une tentative de réparation non autorisée peut endommager l'appareil de manière irréparable, ce qui a pour effet d'annuler la garantie.

Si l'appareil ne se met pas en marche, l'écran ne s'allume pas :

- Appuyez sur le bouton Alimentation/Déclenchement.
- Vérifiez l'état de la pile et remplacez-la au besoin. Si l'appareil ne répond pas lorsque vous appuyez sur le bouton, remplacez la pile par une pile au lithium CR2 de 3 volts de bonne qualité.

Si l'appareil s'éteint (l'écran s'éteint lorsque vous tentez d'activer le laser) :

- La pile est presque déchargée ou de mauvaise qualité. Remplacez la pile par une nouvelle pile au lithium de 3 volts (CR2).

Si la distance de la cible ne peut pas être calculée :

- Assurez-vous que l'écran est allumé.
- Assurez-vous que le bouton Alimentation/Déclenchement est enfoncé.
- Assurez-vous que rien ne bloque l'objectif à l'avant du télémètre (comme votre main ou votre doigt), car c'est l'objectif qui émet et reçoit les impulsions laser.
- Assurez-vous que l'appareil ne bouge pas lorsque vous appuyez sur le bouton Alimentation/Déclenchement.

REMARQUE : il n'est pas nécessaire d'effacer la dernière distance affichée avant de viser une autre cible. Il suffit de viser une autre cible à l'aide du réticule de l'écran et de maintenir le bouton d'alimentation enfoncé jusqu'à ce que la nouvelle distance apparaisse.

Caractéristiques techniques

UGS	Mag x Diam. de lentille	Portée max. (Y/M) (cible réfléchissante)	Distance jusqu'à arbre (Y/M)	Distance jusqu'à animal (Y/M)	Précision de télémétrie	Revêtements optiques	Longueur (po./mm)	Poids (oz./g)
LP1700SBL	6 x 24 mm	1,700/1,554	1,000/914	700/640	+/- 1 yard	Entièrement multicouche EXO Barrier™	4,3/109	6,0/170
LP1300SBL	6 x 24 mm	1,300/1,189	800/732	600/549	+/- 1 yard	Entièrement multicouche EXO Barrier™	4,3/109	6,0/170



Les produits fabriqués à partir d'avril 2017 sont couverts par la garantie Bushnell Lifetime Ironclad. La garantie Ironclad est une garantie à vie totale, qui couvre l'ensemble de la durée de vie du produit. Chacun de nos produits dispose d'une durée de vie définie, comprise entre 1 et 30 ans. La durée de vie de ce produit est consultable à l'adresse ci-dessous ou sur la page spécifique à ce produit sur le site Bushnell.

Nous garantissons que ce produit est exempt de défauts de fabrication et de matériaux défectueux, et qu'il répond à toutes les normes de performances définies pour la durée de vie de ce produit. Si ce produit ne fonctionne pas comme il le devrait en raison d'un défaut couvert par cette garantie, le produit sera remplacé ou réparé gratuitement (à notre discrétion), et vous sera réexpédié sans frais. Cette garantie est entièrement transférable et ne nécessite aucun reçu, carte de garantie ou enregistrement du produit. Cette garantie ne couvre aucun des éléments suivants : composants électroniques ; piles et batteries ; dégâts esthétiques ; dommages causés par un défaut d'entretien du produit ; perte ; vol ; dommages résultant d'une réparation, d'une modification ou d'un démontage non autorisé ; dommages, utilisation mauvaise et/ou abusive intentionnelle ; usure normale du produit ou de ses composants. Si la date de fabrication ou tout autre numéro de série sont retirés du produit, la garantie sera annulée.

Pour consulter la garantie complète ou trouver des informations sur les services de garantie à votre disposition, visitez notre site Web à l'adresse www.bushnell.com/warranty. Vous pouvez également nous demander une copie de la garantie en nous appelant au 1-800-423-3537, ou en nous écrivant à l'une des adresses suivantes :


Aux U.S.A. Envoyé à :
Bushnell Outdoor Products
Attn.: Repairs
9200 Cody
Overland Park, Kansas 66214

AU CANADA Envoyé à :
Bushnell Outdoor Products
Attn.: Repairs
140 Great Gulf Drive, Unit B
Vaughan, Ontario L4K 5W1

Pour les produits achetés à l'extérieur des Etats-Unis ou du Canada, veuillez contacter votre revendeur local pour obtenir les conditions de garantit applicables.

Cette garantie vous confère des droits légaux spécifiques.
Vous pouvez avoir d'autres droits qui varient d'un pays à l'autre.

©2019 Bushnell Outdoor Products

 **AVERTISSEMENT:** Ce produit utilise une batterie au lithium. Les batteries au lithium peuvent surchauffer et causer des dommages si elles sont maltraitées physiquement. N'utilisez pas de piles endommagées ou présentant des signes d'usure physique.

NOTE FCC

Cet équipement a été testé et s'est avéré conforme aux limites du dispositif numérique de classe B, en vertu de la partie 15 des règles de la FCC. Ces limites sont conçues afin de fournir une protection raisonnable contre les interférences dans une installation résidentielle. Cet équipement génère, utilise et peut émettre des radiofréquences et, s'il n'est pas installé et utilisé selon les instructions, peut causer des interférences nocives aux communications radio.

Toutefois, il n'y a pas de garantie que les interférences ne se produiront pas dans une installation particulière. Si cet équipement provoque des interférences nocives à la réception radio ou télévisuelle, qui peuvent être déterminées en éteignant puis rallumant l'équipement, nous encourageons l'utilisateur à essayer de corriger l'interférence par l'une ou plusieurs des mesures suivantes :

- Réorienter ou repositionner l'antenne de réception.
- Augmenter la distance séparant l'appareil du récepteur.
- Connecter l'équipement à une prise appartenant à un circuit différent de celui sur lequel le récepteur est connecté.
- Contacter le revendeur ou faire appel à un technicien spécialisé en radio/télévision pour obtenir de l'aide.

Afin de se conformer aux limites du dispositif numérique selon la partie 15, section B, des règles de la FCC, des câbles blindés doivent être utilisés avec cet équipement.

Les caractéristiques et conceptions sont sujettes à des changements sans préavis ni obligation de la part du fabricant



SÉCURITÉ FDA

Produit laser de classe 1 conforme à la norme CEI 60825-1:2007.

Conforme aux normes 21 CFR 1040.10 et 1040.11 pour les produits laser, sauf les exceptions citées dans le document « Laser Notice No. 50 », daté du 24 juin 2007.

Attention : il n'existe pas de contrôles, ajustements ou procédures destinés à l'utilisateur. L'exécution de procédures autres que celles spécifiées ici peut entraîner l'exposition à une lumière laser invisible.

Industry Canada Statement :

This device complies with ISED's licence-exempt RSSs. Operation is subject to the following two conditions: (1) This device may not cause harmful interference, and (2) this device must accept any interference received, including interference that may cause undesired operation.

Le présent appareil est conforme aux CNR d'ISED applicables aux appareils radio exempts de licence. L'exploitation est autorisée aux deux conditions suivantes: (1) le dispositif ne doit pas produire de brouillage préjudiciable, et (2) ce dispositif doit accepter tout brouillage reçu, y compris un brouillage susceptible de provoquer un fonctionnement indésirable.

Radiation Exposure Statement / Déclaration d'exposition aux radiations :

This device complies with the Industry Canada portable RF exposure limit set forth for an uncontrolled environment and is safe for the intended operation as described in this manual. Further RF exposure reduction can be achieved if the product can be kept as far as possible from the user's body or if the device is set to a lower output power if such function is available.

Le produit est conforme aux limites d'exposition pour les appareils portables RF pour les Etats-Unis et le Canada établies pour un environnement non contrôlé.

Le produit est sûr pour un fonctionnement tel que décrit dans ce manuel. La réduction aux expositions RF peut être augmentée si l'appareil peut être conservé aussi loin que possible du corps de l'utilisateur ou que le dispositif est réglé sur la puissance de sortie la plus faible si une telle fonction est disponible.

Patent #'s: 7,658,031 | 8,081,298

Patent Pending: 6,542,302

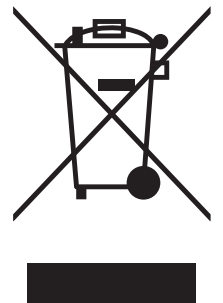
Traitement des déchets d'équipements électriques et électroniques

(En vigueur dans l'Union européenne et autres pays européens ayant des systèmes de collecte des déchets séparés)

Cet équipement contient des composants électriques et/ou électroniques et par conséquent ne doit pas être éliminé en fin de vie avec les autres déchets ménagers. Vous devez au contraire vous débarrasser de ce produit afin qu'il soit recyclé aux points de collecte respectifs fournis par les communautés locales. Pour vous, ceci est sans frais.

Si l'équipement contient des piles amovibles (rechargeables), celles-ci doivent également être retirées de l'équipement et, si nécessaire, être éliminées à leur tour conformément aux règlements en vigueur (voir également les commentaires respectifs dans la notice d'utilisation de ce produit).

De plus amples renseignements à ce sujet sont disponibles auprès de votre mairie, votre compagnie de ramassage d'ordures locale, ou dans le magasin où vous avez acheté cet équipement.



Gracias por comprar su nuevo telémetro láser Bushnell® Prime™.

Este manual le ayudará a optimizar su experiencia de visión explicándole cómo utilizar las características y controles del telémetro, así como los cuidados que precisa. Lea atentamente las instrucciones antes de usar su telémetro.

⚠ ADVERTENCIA: al igual que con cualquier dispositivo láser, no se recomienda mirar directamente hacia el haz emitido durante largos periodos de tiempo con lentes de ampliación.

INTRODUCCIÓN

Su Bushnell® Prime™ es un telémetro láser de gran calidad y muy compacto con la última tecnología digital, que proporciona lecturas de distancia precisas desde 5-1700 yardas/5-1554 metros. (Para el modelo LP1700SBL. Para el modelo LP1300SBL, la distancia máxima es de 1300 y/1189 m). Con una medida de 1,3 x 4,3 x 2,9 pulgadas, el Prime™ de 6 onzas proporciona una captura de objetivo rápida, con una precisión de +/- 1 yarda a la distancia máxima. El telémetro láser Prime también se caracteriza por tener la ARC™ (compensación de rango de ángulo con inteligencia balística) patentada de Bushnell, un nuevo motor de rango para realizar lecturas y dar respuestas más rápidas y coherentes, una pantalla LCD de colores intensos con una mayor transmisión de luz y una estructura resistente al agua (IPX4), además de revestimiento protector EXO™.

**Nota: Puede obtener distancias máximas mayores o menores según las propiedades de reflexión de cada objetivo en particular y las condiciones ambientales en el momento de medir la distancia hasta un objeto. Tanto el color como el acabado superficial, el tamaño y la forma del objetivo afectan a la reflectividad y a la distancia. Cuanto más brillante sea el color, mayor será la distancia. Por ejemplo, el color blanco es muy reflectante y permite distancias más largas que el color negro, que es el color menos reflectante. Un acabado brillante proporciona un mayor rango que uno mate. Cuanto más pequeño sea el objetivo más difícil será de medir. El ángulo respecto al objetivo también afecta a la medición. Disparar a un objetivo en un ángulo de 90 grados (de modo que la superficie del objetivo sea perpendicular a la trayectoria de los impulsos de energía emitidos) proporciona un buen rango, mientras que un ángulo pronunciado proporciona un rango limitado. Además, las condiciones de iluminación (por ejemplo, la cantidad de luz solar) afectarán a la capacidad de rango de la unidad. Cuanta menos luz haya (por ejemplo, cielos nublados), mayor será el rango máximo de la unidad. Por el contrario, en días muy soleados disminuirá el rango máximo de la unidad.*

CÓMO FUNCIONA NUESTRA TECNOLOGÍA DIGITAL

El telémetro láser Prime emite pulsos de energía infrarroja invisibles y seguros para la vista. El microprocesador del telémetro Prime produce lecturas instantáneas y precisas en todo momento. La tecnología digital sofisticada calcula instantáneamente las distancias midiendo el tiempo que tarda cada impulso en ir y volver desde el telémetro hasta el objetivo y viceversa.




INDICADOR DE DURACIÓN DE LA BATERÍA Y ACTIVACIÓN DE BATERÍA


Antes de usarlo por primera vez: quite la tapa del compartimento de la batería levantando la lengüeta de la tapa y luego gírela en sentido contrario a las agujas del reloj. Quite y tire el disco rojo de plástico que cubre el terminal positivo de la batería y coloque de nuevo la tapa de la batería. **NOTA:** Se recomienda sustituir la batería de litio CR2 de 3 voltios al menos una vez cada 12 meses. Introduzca la batería en el compartimento con el extremo negativo primero.




Icono del indicador de la batería (3):

Carga completa 

3/4 del nivel de batería restante 

1/2 del nivel de batería restante 

1/4 del nivel de batería restante 

El icono de batería parpadea: es necesario reemplazar la batería y la unidad no se podrá utilizar.

FUNCIONAMIENTO BÁSICO

- Mientras mira a través del telémetro láser, presione y suelte el botón de Encendido/Disparo para activar la pantalla.
- Si la pantalla se ve borrosa, gire el ajuste ocular o de dioptría de goma en cualquier dirección hasta que la pantalla se ajuste a su visión.
- Coloque el círculo de la diana (ubicado en el centro de la pantalla) sobre un objetivo a una distancia mínima de 5 a 6 yardas, pulse y mantenga pulsado el botón de Disparo hasta que la lectura de la distancia se muestre debajo del círculo de la diana.
- Una vez que se ha detectado una distancia, puede soltar el botón de Disparo. Las cuatro "cruceas" que rodean el círculo de la diana se apagarán, lo que indica que el láser ya no se está transmitiendo. La pantalla permanecerá activa y mostrará la última medición de distancia durante unos 15 segundos, hasta que la pantalla se apague automáticamente para aumentar la duración de la batería.
- Puede presionar el botón de Disparo de nuevo en cualquier momento para comprobar la distancia hacia un nuevo objetivo. Para volver a disparar, pulse de nuevo el botón.
- Para rastrear el láser en una zona y poder ver las lecturas de distancia actualizadas continuamente, basta con mantener presionado el botón de Disparo mientras mueve el telémetro hacia distintos objetivos. Las cruceas que se encuentran fuera del círculo de la diana parpadearán para indicar la operación de rastreo.

ICONOS/INDICADORES DE LA PANTALLA

La pantalla del telémetro Prime incorpora los siguientes indicadores luminosos:

Modos de compensación de rango de ángulo

- Modo arco (1)
- Modo rifle (2)

Indicador del nivel de la batería (3)

Círculo/Punto de mira (4)

Indicador de láser activo/de rastreo (5)

Modos de objetivos

- Modo BullsEye (6)
- Modo Brush (7)

La primera pantalla numérica muestra la distancia de la trayectoria óptica (8)

Indicadores de distancia horizontal de caída de bala/remanente del modo rifle

- Unidades de remanentes MOA seleccionadas (9)
- Unidades de remanentes MIL seleccionadas (10)
- Unidades de remanentes CM (centímetro) o IN (pulgada) seleccionadas (11)
- SD = Distancia de disparo variable (12)

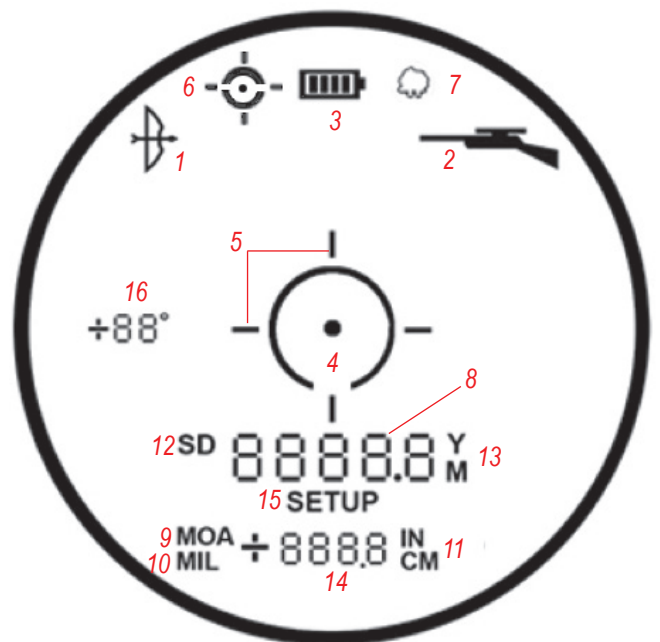
Unidades de distancia (13): Y=Yardas, M=Metros

Pantalla numérica secundaria (14)

(Distancia horizontal real para el modo arco, caída de bala/remanente para el modo rifle)


Modo de CONFIGURACIÓN (15)

Indicador del ángulo (16)




MODOS DE OBJETIVOS

El telémetro láser Prime puede funcionar con uno de los tres modos de objetivos disponibles, que tienen un modo estándar predeterminado. Pulse el botón de modo durante unos segundos hasta que el indicador deseado (BullsEye o Brush) aparezca si desea seleccionar un modo de objetivos diferente. Pulse el Modo otra vez después de que aparezca el indicador del modo Brush para volver al modo estándar. Los modos de objetivos son:

- **Modo estándar con ESCANEEO automático** (indicador LCD: ninguno) Esta configuración permite que se alcancen la mayoría de los objetivos, hasta un máximo de 1700 o 1300 yardas (según el modelo). Se usa para objetivos algo reflectantes que son normales en la mayoría de las situaciones de distancia. La distancia mínima con el modo estándar es 5 yardas. Para usar la característica del ESCANEEO automático, basta con mantener pulsado el botón de Disparo y, a continuación, mover el telémetro de un objeto a otro mientras mantiene el botón de Disparo pulsado. El escaneo automático permitirá actualizar continuamente las lecturas mientras se enfocan varios objetos. Las líneas de los retículos parpadearán mientras se realiza el escaneo.
- **Modo BullsEye™ con ESCANEEO automático** (indicador LCD (6) - ) Este modo avanzado permite una fácil captura de objetivos pequeños y juego sin obtener involuntariamente las distancias a los objetivos del fondo que tienen una señal más fuerte. Cuando se detectan varios objetos, solo se muestra la distancia del más próximo.

Alinee el círculo de la diana con el objeto (por ejemplo, un ciervo) cuya distancia desee medir con el telémetro en el modo BullsEye. A continuación, presione y mantenga presionado el botón de Disparo y mueva el círculo de mira lentamente sobre el ciervo. Si el rayo láser reconoce más de un objeto (ciervo y árboles del fondo), en la LCD se mostrará la distancia del objeto más próximo (el ciervo).

- **Modo Brush™ con ESCANEO automático** (indicador LCD (7) - ): este modo avanzado permite que se ignoren los objetos como los arbustos o ramas de árboles para que solo se muestre la distancia a los objetos del fondo. Cuando se detectan varios objetos, solo se muestra la distancia del más lejano en la LCD.

Alinee el círculo de mira con el objeto cuya distancia desee medir con el telémetro en el modo Brush. A continuación, presione y mantenga presionado el botón de Disparo y mueva el círculo de mira lentamente sobre el objeto. Si el rayo láser reconoce más de un objeto (un primer plano de una rama de árbol y un ciervo en el fondo), en la LCD se mostrará la distancia del objeto más lejano (el ciervo).

CONSEJO: mientras presiona el botón de Disparo, puede mover el dispositivo lentamente de un objeto a otro y forzar intencionalmente el láser para que alcance varios objetos con el fin de asegurarse de que solo se está mostrando el más lejano de los objetos reconocidos por el láser. Cuando el dispositivo se apaga, la unidad siempre vuelve por defecto al último modo de objetivos utilizado.

COMPENSACIÓN DE RANGO DE ÁNGULO (ARC)

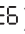
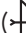
El telémetro láser Prime con ARC™ se diseñó específicamente pensando en los cazadores. Su telémetro Prime cuenta con un inclinómetro incorporado que resuelve un problema al que los cazadores se han enfrentado durante años. Los cazadores con arco y con rifle han luchado con los ángulos en subida y en bajada por cómo estos ángulos alteran la distancia horizontal real con el objetivo. La solución ARC™: un inclinómetro integrado que proporciona datos angulares a un chip de procesador cuando apunta a objetos que estén hacia arriba o hacia abajo. Estos datos se combinan con fórmulas algorítmicas internas. Los modos ARC, que pueden ser seleccionados por el usuario, le permiten ajustar los parámetros de rendimiento de la unidad para que se ajusten a su entorno y situación específicos. Al igual que con la distancia de "línea recta" estándar, cuando el botón de Encendido se deja de pulsar, la pantalla del telémetro láser Prime también puede mostrar la distancia horizontal real (con el modo Arco, consulte la sección MODOS ARC) o caída de bala/remanente (en modo Rifle) cerca de la parte inferior de la pantalla (14), junto con el ángulo de inclinación en grados, que se indica en la parte izquierda de la pantalla (16). Por ejemplo, un cazador con arco en un puesto en un árbol puede estar apuntando a un ciervo que está en pendiente a unos -52° con respecto a su posición. La distancia de la línea visual es 32 yardas, pero es probable que "se pase de largo" el objetivo basándose en eso. La distancia THD, (compensada por el ángulo) muestra 23 yardas. Esta es la distancia en la que el cazador debería basar su disparo.

USAR EL MENÚ DE CONFIGURACIÓN

El menú Setup se usa para seleccionar opciones distintas, como el modo ARC (arco, rifle, etc.) y unidades de distancia (yardas o metros) que desee. Para entrar en el menú Setup después de encender la unidad, mantenga pulsado el botón de modo hasta que "SETUP" aparezca en la pantalla (15). Permanecerá en el menú Setup hasta que cambie o confirme todas las configuraciones posibles (puede variar dependiendo del modo ARC seleccionado) y SETUP ya no aparezca en la pantalla. Cuando esté en el menú Setup, pulse el botón de modo para desplazarse o alternar los elementos disponibles. Pulse el botón Disparar para confirmar y guardar la opción/configuración que se muestra en ese momento en pantalla.

El primer elemento que puede seleccionar del menú Setup es el modo ARC. Pulse el botón de modo hasta que se visualice el icono del modo que desee y, a continuación, pulse el botón de Disparo para confirmar y continuar con la selección de otras opciones/configuraciones relacionadas. Puede obtener más información sobre los distintos modos ARC en la sección siguiente.

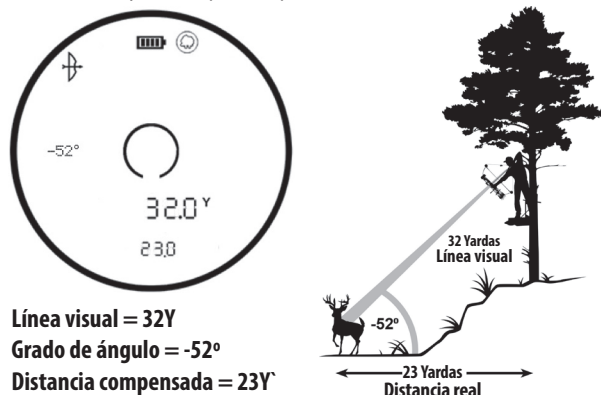
MODOS ARC (COMPENSACIÓN DE RANGO DE ÁNGULO)

- **Modo NORMAL** (): este modo no proporciona ningún grado de elevación o de información de distancia compensada (sin pantalla (14), solo la distancia de la línea visual (8)). Seleccione este modo (pulse el botón de Disparo con "rE6" en la pantalla mientras está en Setup) para un uso general o cuando no use el telémetro para cazar con rifle o arco. Cuando confirme su selección del modo Normal, el otro elemento del menú Setup es la opción Unidad de medida (13). Si presiona el botón de modo se alternarán las unidades de Y (yardas) a M (metros) predeterminados. Pulse el botón de Disparo para confirmar su selección (configure las unidades como yardas o cámbielo a metros) y salga del menú Setup para volver al funcionamiento normal.
- **Modo Arco** (): calcula y muestra el grado de inclinación, la distancia horizontal real resultante en yardas o metros y la distancia de línea recta. Seleccione este modo (pulse el botón de Disparo con el icono del arco (1) en la pantalla mientras está en Setup) para cazar con arco o para otro uso si no necesita información de caída de bala/remanentes. Cuando confirme su selección del modo Arco, el otro elemento del menú Setup es la opción Unidad de medida (13). Si presiona el botón de modo se alternarán las unidades de Y (yardas) a M (metros) predeterminados. Pulse el botón de Disparo para confirmar su selección (configure las unidades como yardas o cámbielo a métrica) y salga del menú Setup para volver al funcionamiento normal.

Ejemplo de modo Arco

La distancia horizontal real se muestra cerca de la parte inferior de la pantalla (14), alternándolo con el ángulo de inclinación en grados. Por ejemplo, un cazador con arco en un puesto en un árbol puede estar apuntando a un ciervo que está en pendiente con un ángulo de -52° con respecto a su posición. La distancia de la línea visual es 32 yardas, pero es probable que "se pase de largo" el objetivo basándose en eso. La distancia THD (compensada por el ángulo) muestra 23 yardas. Esta es la distancia en la que el cazador debería basar su disparo.

Si quisiera disparar a 32 yardas, tendría que disparar por encima del ciervo debido al gran ángulo.



Si está utilizando el modo Arco, se mostrará la distancia de la línea visual en la pantalla numérica principal y la inclinación y la distancia horizontal se mostrarán en las pantallas numéricas secundarias. Bushnell® determinó que los múltiples grupos de balística de arco no eran necesarios después de realizar muchas pruebas y entrevistas con expertos en caza con arco. Los cazadores con arco quieren conocer la distancia horizontal real porque así es como practican los lanzamientos y, cuando ya lo saben, pueden hacer los ajustes que sean necesarios. Se crea una confusión e incertidumbre adicional al dar al cazador con arco algo diferente a la distancia horizontal.

Muchas personas creen por error que los disparos cuesta arriba se realizan de forma diferente a los disparos cuesta abajo debido a la gravedad. No obstante, no se debe a la gravedad, sino a una anomalía del sistema de puntería que se usa en los arcos. El visor de un arco se encuentra a unas pulgadas por encima del eje mecánico del arco. Por ejemplo, cuando alguien apunta a una pendiente de 23 grados hacia arriba, la flecha está en un ángulo diferente.

- **Modo RIFLE** (🔫): calcula y muestra la cantidad de caída de bala del objetivo en pulgadas, centímetros, milímetros o MOA. La cantidad de caída de balas se determina mediante la distancia de la línea visual hasta el objetivo, el grado de elevación, junto con las características balísticas específicas del calibre y la carga de munición. Cuando extienda su objetivo, la línea visual, el grado de elevación y la caída de bala/remanente en pulgadas, centímetros, milímetros o MOA se mostrará desde una distancia de 100 a 800 yardas/metros con una inclinación máxima de +/- 70°.

El usuario puede seleccionar uno de los ocho grupos de balística (identificados como A, B, C, D, E, F, G y H) para los rifles de fuego central y dos grupos de balística (identificados como I y J) para pólvora negra/avancargas, con una fórmula diferente que representa una combinación del calibre y la carga. El usuario selecciona los grupos de balística a través del menú Setup. Después de entrar al menú Setup (manteniendo presionado el botón de modo unos segundos), pulse brevemente el botón de modo hasta ver el icono del rifle parpadeando (2) y la letra del grupo de balística que desee para su munición (o carga).

Cómo saber qué grupo de balística hay que seleccionar

Los ingenieros de Bushnell se han informado recientemente sobre los datos balísticos disponibles y han agrupado muchos de los calibres y cargas más populares en ocho grupos de balística (A, B, C, D, E, F, G, H). Cuando sepa con qué calibre y carga dispara, mire el cuadro para determinar cuál de los ocho grupos de balística concuerdan con su carga y calibre particular. Con respecto a las avancargas, hemos trabajado con PowerBelt Bullets para incorporar datos balísticos en los grupos de balística (I y J). A continuación, puede encontrar algunas de las combinaciones de cargas y calibres más populares. Se puede encontrar una lista completa de aproximadamente 2000 combinaciones de carga y calibre en la página web de Bushnell (www.bushnell.com).

Combinaciones populares de calibre y carga

Federal Cartridge.224 dia. 22-250 Rem, 55 gr Bear Claw a 3600 fps	G
Federal Cartridge.224 dia. 22-250 Rem, 60 gr Partición a 3500 fps	F
Remington Arms 0,224 dia. 22-250 Remington Arms, 50 gr V-Max a 3725 fps	H
Remington Arms 0,224 dia. 22-250 Remington Arms, 55 gr PSP a 3680 fps	G
Winchester 0,224 dia. 22-250 Rem, 55 gr Ballistic Silvertip a 3680 fps	H
Winchester 0,224 dia. 22-250 Rem, 55 gr PSP a 3680 fps	G
Federal Cartridge 0,277 dia. 270 Win, 150 gr Ballistic Tip a 3060 fps	F
Federal Cartridge 0,277 dia. 270 Win, 150 gr Partición a 3000 fps	F
Remington Arms 0,277 dia. 270 Win, 140 gr PSPCL Ultra a 2925 fps	E
Remington Arms 0,277 dia. 270 Win, 150 gr SPCL a 2850 fps	D
Winchester 0,277 dia. 270 Win, 150 gr Partición Gold a 2930 fps	E
Winchester 0,277 dia. 270 Win, 150 gr PP-Plus a 2950 fps	E
Federal Cartridge 0,308 dia. 30-06 Spring, 180 gr AccuBond a 2700 fps	D
Federal Cartridge 0,308 dia. 30-06 Spring, 180 gr Bear Claw a 2700 fps	D
Remington Arms 0,308 dia. 30-06 Springfield, 180 gr A-Frame a 2700 fps	D

Remington Arms 0,308 dia. 30-06 Springfield, 180 gr BRPT a 2700 fps	D
Winchester 0,308 dia. 30-06 Sprg, 180 gr FailSafe a 2700 fps	D
Winchester 0,308 dia. 30-06 Sprg, 180 gr Partición Gold a 2750 fps	D
Federal Cartridge 0,308 dia. 300 WSM, 180 gr AccuBond a 2960 fps	F
Federal Cartridge 0,308 dia. 300 WSM, 180 gr Bear Claw a 3025 fps	F
Winchester 0,308 dia. 300 WSM, 180 gr Ballistic Silver Tip a 3010 fps	F
Winchester 0,308 dia. 300 WSM, 180 gr Fail Safe a 2970 fps	F
Remington Arms 0,308 dia. 300 R.S.A.U.M., 180 gr PSPCL Ultra a 2960 fps	E
Remington Arms 0,308 dia. 300 Wby Mag, 180 gr PSPCL a 3120 fps	F

Después de determinar a qué grupo balístico pertenece su calibre y carga, seleccione la letra de ese grupo balístico y el modo Rifle. La fórmula interna determinará la cantidad de caída de bala/remanente en pulgadas o centímetros basada en la distancia, ángulo y balística de su calibre y carga.

¿Qué ocurre si mi calibre/carga no está en la lista?

A la vez que procuramos incluir todos los calibres y nombres de marcas que podemos en nuestras tablas de balística, se desarrollan nuevas cargas. Además, algunos tiradores cargan su propia munición con características de balísticas especiales. Si no puede encontrar su carga en nuestras tablas de balística, puede usar la función de caída de bala del telémetro láser. Como se ha indicado previamente, visualice 100 yardas en su rifle. Dispare el rifle, sin ajustar el visor, a 300 yardas. Medida de la caída de bala desde el punto del objetivo. Seleccione el grupo de balística de arriba usando la caída. Si va a disparar distancias más largas, quizás prefiera comprobar la caída de bala a 500 yardas. Como hay una variación muy grande en los cañones, cámaras y cargas manuales de los rifles, debería comprobar bien la configuración de balística antes de empezar a cazar. Puede que necesite escoger un grupo u otro, dependiendo de las pruebas que realizó.

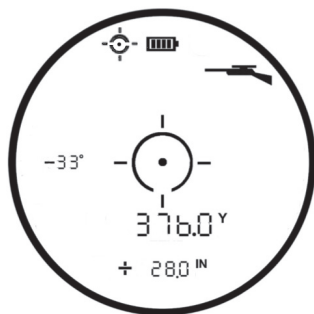
Después de confirmar su selección del modo Rifle con el grupo de balística que necesita (pulsando el botón de Disparo mientras aparece en la pantalla), el siguiente elemento es la opción Unidad de medida (13). Si presiona el botón de modo se alternarán las unidades de Y (yardas) a M (metros) predeterminados. Pulse el botón de Disparo para confirmar su selección (configure las unidades como yardas o cámbielo a métrica).

Después verá "DV", que significa distancia de disparo. Si presiona brevemente el botón de modo, recorrerá una variedad de 100, 150, 200 o 300 yardas. Pulse el botón de Disparo para confirmar y guardar la configuración cuando se muestre su distancia de disparo preferida en la pantalla.

Por último, podrá elegir los formatos para los datos de caída de bala/remanente que aparecerán en la pantalla numérica secundaria (14): IN (pulgadas)*, ML (mil) o MOA (moa). Pulse brevemente el Conmutador de modo para desplazarse a través de las 3 opciones y pulse el botón de Disparo para conformar y guarde la configuración cuando se muestre su formato de caída bala preferido. *Nota: Si la unidad de medida se configuró en metros (M), la caída de bala se calculará y mostrará en CM (centímetros) en lugar de en pulgadas.

Ejemplo de modo Rifle

La línea visual es de 376 yardas, el ángulo es de -33 grados y la caída de bala/remanente es de 28 pulgadas. ARC no solo tiene en cuenta los datos balísticos basados en su calibre y carga desde distancias de 100-800 yardas, sino que también compensa ángulos cuesta arriba y cuesta abajo que también afectan a la caída de bala.



Línea visual = 376 yardas
Grado de ángulo = -33°
Remanente/caída de bala = 28 pulgadas



376 Yardas
376 Yardas
-33° de ángulo y 28 pulgadas de remanente

La tecnología digital de última generación del telémetro Prime permite al cazador o tirador saber exactamente dónde presionar para realizar un tiro efectivo. Esta información debería usarse como una guía o herramienta útil y no debería reemplazar la práctica y la familiaridad con su rifle, cartucho y carga. Le animamos a que practique los disparos a diferentes distancias para conocer la manera en la que su rifle, cartucho y carga actúan en distintas condiciones. Debe conocer lo que hay detrás de su bala, si no es así, no dispare.

- **Seleccionar retícula:** la última opción disponible del menú Setup le permite seleccionar el tipo de retícula que prefiera para el centro de la pantalla (para todos los modos). Pulse el botón Modo para desplazarse a través de las opciones Círculo, Punto y Círculo con punto (*esta es la opción predeterminada*). Pulse el botón de Disparo para confirmar la selección de la retícula que prefiera y salga del menú Setup.

LIMPIEZA Y CUIDADO GENERAL

Las lentes de su telémetro láser Bushnell Prime tienen corrección múltiple total para la máxima transmisión de luz. Al igual que con cualquier producto óptico de corrección múltiple, se debe tener especial cuidado al limpiar las lentes. Siga estos consejos para una limpieza adecuada de las lentes:

- Sople cualquier polvo o suciedad que haya en la lente (o use un cepillo suave para lentes).
- Para eliminar la suciedad o las huellas de dedos, límpiela con el paño de microfibra lavable, frotando con un movimiento circular. Si utiliza un paño áspero o frota demasiado, puede arañar la superficie de la lente y, tal vez, causar un daño permanente. El paño de microfibra lavable que se suministra es idóneo para una limpieza habitual de su producto óptico. Simplemente eche su aliento sobre la lente para humedecerla y frótelas suavemente la lente con el paño de microfibra.
- Para realizar una limpieza más a fondo, se puede usar papel para lentes fotográficas y alcohol isopropílico o fluido de limpieza de lentes fotográficas. Aplique siempre el fluido en el paño de limpieza, nunca directamente sobre la lente.

Todas las superficies exteriores de lente presentan nuestro nuevo revestimiento EXO Barrier™ (además del multicapa completo). Resumiendo, EXO Barrier es la mejor tecnología de revestimiento protector para lentes que Bushnell haya desarrollado hasta la fecha. La EXO Barrier, que se añade al final del proceso de revestimiento, se adhiere a la lente a nivel molecular y rellena los poros microscópicos del cristal. El resultado es un revestimiento ultraliso que repele agua, aceite, niebla, polvo y otros residuos, para que lluvia, nieve, huellas dactilares y polvo no se adhieran. La EXO Barrier está diseñada para durar: el revestimiento adherente no se pierde con el paso del tiempo ni con el uso y desgaste normales.

El telémetro está fabricado y probado para resistir exposiciones al agua conforme a las normas IPX4. Si bien es resistente al agua, no se debe sumergir.

DETECCIÓN Y RESOLUCIÓN DE PROBLEMAS

Nunca desmonte su telémetro láser. Daños irreparables pueden ser el resultado de intentos de mantenimiento no autorizados, lo que también anula la garantía.

Si la unidad no se enciende, la pantalla no se enciende:

- Presione el botón de Encendido/Disparo.
- Compruebe y, si es necesario, sustituya la batería. Si la unidad no responde cuando se pulsa el botón, sustituya la batería con una batería de litio CR2 de 3 voltios de buena calidad.

Si la unidad se apaga (la pantalla se apaga al tratar de encender el láser):

- La batería es débil o de baja calidad. Sustituya la batería por una batería (CR2) de litio nueva de 3 voltios.

Si no es posible determinar la distancia de un objetivo:

- Compruebe que la pantalla esté iluminada.
- Asegúrese de presionar el botón de Encendido/Disparo.
- Asegúrese de que nada, como la mano o el dedo, esté bloqueando las lentes de la parte delantera de telémetro que emiten y reciben impulsos de láser.
- Asegúrese de mantener la unidad estable mientras presiona el botón de Encendido/Disparo.

NOTA: No es necesario borrar la última lectura de distancia para medir la distancia hasta otro objetivo. Basta con apuntar hacia el nuevo objetivo usando la retícula de la pantalla, presionar el botón de Encendido y mantenerlo presionado hasta que se muestre la nueva lectura de distancia.

Especificaciones técnicas

N.º de referencia	Mag x diámetro de lentes de objetivo	Distancia máxima (Y/M) (objetivo reflectante)	Distancia a árbol (Y/M)	Distancia a ciervo (Y/M)	Rango de exactitud	Revestimiento óptico	Longitud (pulgadas/mm)	Peso (oz/g)
LP1700SBL	6 x 24 mm	1.700/1.554	1.000/914	700/640	+/- 1 yardas	Revestimiento multicapa, EXO Barrier™	4,3/109	6,0/170
LP1300SBL	6 x 24 mm	1.300/1.189	800/732	600/549	+/- 1 yardas	Revestimiento multicapa, EXO Barrier™	4,3/109	6,0/170



Los productos fabricados a partir de abril de 2017 están cubiertos por la Garantía Lifetime Ironclad de Bushnell. La Garantía Ironclad es una garantía de por vida que cubre la vida útil de este Producto. Cada producto tiene una vida definida; las vidas pueden variar de 1 a 30 años. La vida útil de este producto se puede encontrar en el sitio web que se detalla a continuación y/o en la página web de Bushnell específica para este Producto.

Garantizamos que este producto está libre de defectos en materiales y mano de obra y cumplirá con todos los estándares de rendimiento representados durante la vida útil de este producto. Si este Producto no funciona correctamente debido a un defecto cubierto, nosotros, a nuestra discreción, lo repararemos o lo reemplazaremos y se lo enviaremos sin cargo. Esta garantía es totalmente transferible y no requiere recibo, tarjeta de garantía ni registro de productos. Esta garantía no cubre lo siguiente: componentes electrónicos; baterías; daño estético; daño causado por no mantener adecuadamente el producto; pérdida; robo; daños como resultado de una reparación, modificación o desensamblaje no autorizado; daño intencional, mal uso o abuso; y el desgaste normal. Esta Garantía será nula si el sello de fecha u otros códigos de serialización han sido eliminados del Producto.

Para ver la garantía completa y encontrar detalles sobre cómo solicitar el servicio bajo la garantía, visite nuestro sitio web en www.bushnell.com/warranty. Alternativamente, puede solicitar una copia de la garantía llamándonos al 1-800-423-3537 o escribiéndonos a una de las siguientes direcciones:


EN ESTADOS UNIDOS enviar a
Bushnell Outdoor Products
Attn.: Repairs
9200 Cody
Overland Park, Kansas 66214

EN CANADÁ enviar a:
Bushnell Outdoor Products
Attn.: Repairs
140 Great Gulf Drive, Unit B
Vaughan, Ontario L4K 5W1

Para los productos comprados fuera de Estados Unidos o Canadá, póngase en contacto con su distribuidor local para obtener información sobre la garantía aplicable.

Esta garantía le otorga derechos legales específicos.
Es posible que tenga otros derechos que varíen de un país a otro.

© 2019 Bushnell Outdoor Products

 **ADVERTENCIA:** este producto usa una batería de litio. Las baterías de litio pueden sobrecalentarse y causar daños si se abusa físicamente. No use baterías que estén dañadas o muestren signos de desgaste físico.

NOTA DE LA FCC

Este equipo ha sido probado y se ha demostrado su cumplimiento con los límites para un dispositivo digital de clase B, de acuerdo con la parte 15 del reglamento de la FCC. Estos límites están diseñados para proporcionar una protección razonable frente a interferencias nocivas en una instalación residencial. Este equipo genera, usa y puede radiar energía de radiofrecuencia. Si no se instala y utiliza de acuerdo con las instrucciones, puede causar interferencias indeseables en las comunicaciones por radio.

Sin embargo, no existe garantía de que no se produzcan interferencias en una instalación en particular. Si este equipo llega a causar interferencias indeseables en la recepción de radio o televisión, lo cual se puede determinar apagando y encendiendo el equipo, se recomienda al usuario que trate de corregir la interferencia tomando una o más de las siguientes medidas:

- Reorientar la antena receptora o cambiar su ubicación.
- Aumentar la separación entre el equipo y el receptor.
- Conectar el equipo a una toma de corriente o a un circuito distinto al que está conectado el receptor.
- Consultar al distribuidor o a un técnico de radio/televisión experimentado en busca de ayuda.

El cable de interfaz blindado debe usarse con el equipo para cumplir con las limitaciones de un dispositivo digital de acuerdo con la sección B de la parte 15 del reglamento de la FCC.

Las especificaciones y los diseños están sujetos a cambios sin previo aviso ni obligación alguna del fabricante



SEGURIDAD CONFORME A FDA

Producto láser de clase 1 de acuerdo con IEC 60825-1:2007.

Cumple con la norma 21 CFR 1040.10 y 1040.11 para productos láser, excepto lo indicado en conformidad con la Advertencia sobre láser n.º 50, de 24 de junio de 2007.

Precaución: no hay ajustes, procedimientos ni controles de usuario. La realización de procedimientos que no sean los especificados en este documento puede dar como resultado el acceso a luz láser invisible.

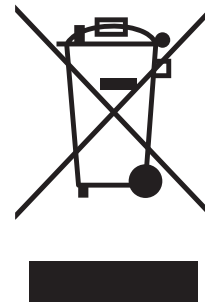
Patent #'s: 7,658,031 | 8,081,298
Patent Pending: 6,542,302

Eliminación de equipos eléctricos y electrónicos *(Aplicable en la UE y otros países europeos con sistemas de recogida separada)*

Este equipo contiene elementos eléctricos o electrónicos y por tanto no debe eliminarse con los residuos domésticos normales. En cambio, debe eliminarse en los correspondientes puntos de recogida para reciclaje previstos por las comunidades. Para usted resultará gratuito.

Si el equipo incorpora baterías intercambiables (recargables), estas también deben retirarse antes y, si es necesario, eliminarlas de acuerdo con las regulaciones correspondientes (consulte también los comentarios al efecto de las instrucciones de estas unidades).

La administración de su comunidad, su empresa local de recogida o la tienda en la que adquirió este equipo pueden proporcionarle información adicional sobre este tema.



Vielen Dank für den Kauf Ihres neuen Bushnell® Prime™ Laser-Entfernungsmessers.

Diese Bedienungsanleitung hilft Ihnen bei der Optimierung Ihres Sichterlebnisses und erläutert, wie die Kontrollen und Funktionen des Entfernungsmessers zu nutzen sind und wie Sie ihn am besten pflegen. Bitte lesen Sie diese Anweisungen sorgfältig durch, bevor Sie den Entfernungsmesser benutzen.

! WARNUNG: Wie bei jedem Lasergerät ist es nicht empfehlenswert, die Emissionen über längere Zeiträume mit vergrößerten Linsen direkt zu betrachten.

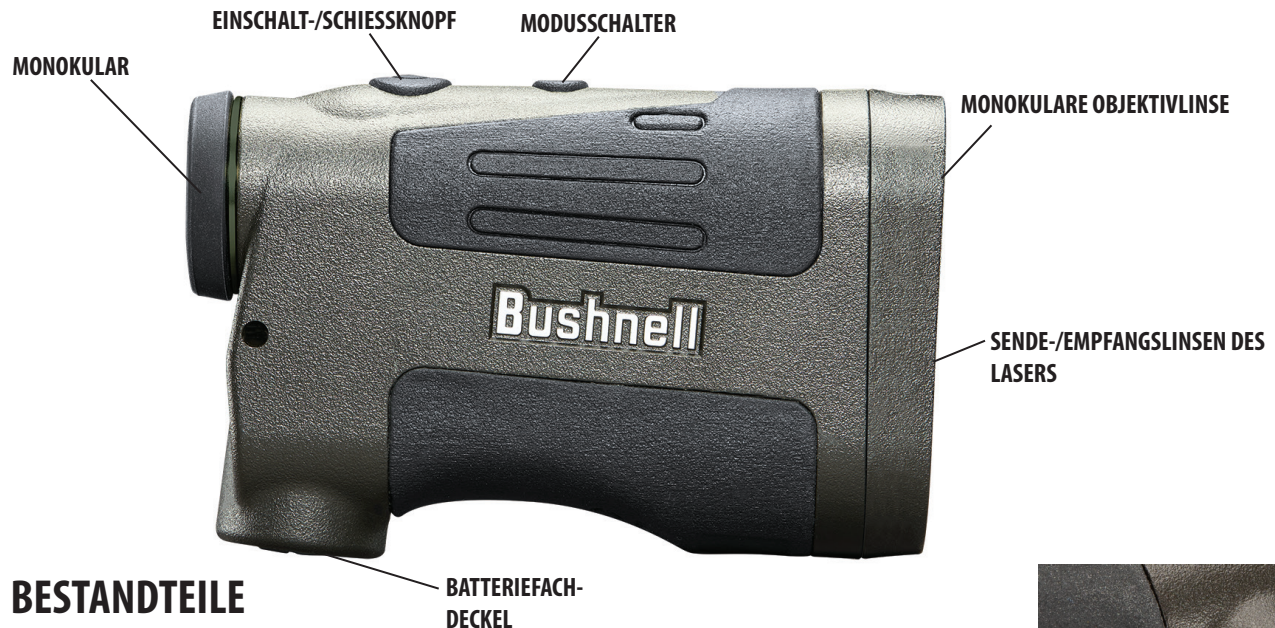
EINLEITUNG

Ihr Bushnell® Prime™ ist ein erstklassiger, äußerst kompakter Laser-Entfernungsmesser mit der neuesten Digitaltechnik, der präzise Entfernungsmesswerte zwischen 5 und 1554 Meter (zwischen 5 und 1700 Yard) liefert (Modell: LP1700SBL). Der Max-Bereich für Modell LP1300SBL beträgt 1189 m/1300 y). Mit einer Größe von 3,8 x 10,9 x 7,6 cm (1,3 x 4,3 x 2,9 Zoll), ermöglicht der 170 g (6 ounce) wiegende Prime™ ultraschnelle Zielerfassung mit Genauigkeit auf bis zu +/- 0,9 m (+/- 1 Yard) zum Max-Bereich. Der Prime Laser-Entfernungsmesser bietet das patentierte ARC™ (Angle Range Compensation with Ballistics Intelligence), einen neuen Motor zur Entfernungsmessung für schnellere, einheitlichere Reaktion und Messwerte, ein Vivid LCD-Display mit höherer Lichtdurchlässigkeit und eine wasserfeste Bauform (nach IPX4) sowie die EXO™ Barrier-Beschichtung auf den Linsen.

**Hinweis: Abhängig von den Reflexionseigenschaften des jeweiligen Ziels und den Umgebungsbedingungen zu dem Zeitpunkt, zu dem die Entfernung eines Objekts gemessen wird, erhalten Sie sowohl längere als auch kürzere maximale Entfernungen. Farbe, Oberflächenbeschaffenheit, Größe und Form des Ziels beeinflussen alle die Reflektivität und die Reichweite. Je heller die Farbe, desto höher die Reichweite. Weiß ist zum Beispiel stark reflektierend und ermöglicht höhere Reichweiten als schwarz, das die am schwächsten reflektierende Farbe ist. Eine glänzende Oberfläche bietet mehr Reichweite als eine glatte. Ein kleines Ziel ist schwieriger zu erfassen als ein großes Ziel. Auch der Winkel zum Ziel wirkt sich aus. Ein Schuss auf ein Ziel in einem 90-Grad-Winkel (wobei die Zieloberfläche senkrecht zur Flugbahn des ausgesendeten Energieimpulses steht) bietet eine gute Reichweite, wohingegen ein steiler Winkel zu einer eingeschränkten Reichweite führt. Darüber hinaus beeinflussen Lichtverhältnisse (z. B. die Menge an Sonnenlicht) die Messeigenschaften des Geräts. Je weniger Licht (z. B. bei bedecktem Himmel), desto höher die maximale Reichweite des Geräts. Umgekehrt verringern sehr sonnige Tage die maximale Reichweite des Geräts.*

WIE UNSERE DIGITALE TECHNOLOGIE FUNKTIONIERT

Der Prime Laser-Entfernungsmesser sendet nicht sichtbare, augensichere Energieimpulse im Infrarotbereich aus. Der Mikroprozessor des Prime Entfernungsmessers ermöglicht jederzeit sofortige und genaue Messwerte. Die komplexe Digitaltechnologie berechnet die Entfernungen sofort, indem sie die Zeit misst, die jeder Impuls benötigt, um vom Entfernungsmesser zum Ziel und zurück zu gelangen.



AKTIVIERUNG DER BATTERIE / BATTERIELAUFZEITANZEIGE

Vor dem ersten Gebrauch: Entfernen Sie den Batteriefachdeckel, indem Sie die Batteriedeckellasche anheben und gegen den Uhrzeigersinn drehen. Entfernen Sie die rote Kunststoffscheibe vom Pluspol der Batterie und bringen Sie dann den Deckel wieder an. **HINWEIS:** Es wird empfohlen, die CR2 3-Volt-Lithium-Batterie mindestens alle 12 Monate auszutauschen. Setzen Sie sie mit dem Minuspol zuerst in das Fach ein.

Symbol für die Batterieladeanzeige (3):

Voll aufgeladen 

3/4 verbleibender Batterieladestand 

1/2 verbleibender Batterieladestand 

1/4 verbleibender Batterieladestand 

Batteriesymbol blinkt - die Batterie muss ausgetauscht werden, sonst ist das Gerät nicht betriebsbereit.

GRUNDLEGENDE FUNKTIONEN

- Während Sie durch den Laser-Entfernungsmesser schauen, drücken und halten Sie den Einschalt-/Schießknopf, um das Display zu aktivieren.
- Wenn das Display verschwommen erscheint, drehen Sie die Gummiaugenmuschel/Dioptrieneinstellung in beide Richtungen, bis das Display für Ihr Sehvermögen scharfgestellt ist.
- Richten Sie den Zielkreis (in der Mitte des Displays) auf ein Ziel, das mindestens 4-5 Meter (5-6 Yards) entfernt ist. Drücken Sie den Schießknopf und halten Sie ihn gedrückt, bis die Entfernung unter dem Zielkreis angezeigt wird.
- Sobald eine Entfernung ermittelt wurde, können Sie den Schießknopf loslassen. Die vier „Fadenkreuze“ unmittelbar außerhalb des Zielkreises werden ausgeblendet und zeigen damit an, dass der Laserimpuls nicht mehr ausgesendet wird. Das Display bleibt aktiv und zeigt für etwa 15 Sekunden die letzte Entfernungsmessung an, bis es automatisch ausgeschaltet wird, um die Batterielebensdauer zu verlängern.
- Sie können den Schießknopf jederzeit erneut drücken, um die Entfernung zu einem neuen Ziel zu überprüfen. Um noch einmal zu schießen, drücken Sie den Schießknopf erneut.
- Um den Laser über einen Bereich zu scannen und kontinuierlich aktualisierte Entfernungsmesswerte zu erhalten, halten Sie einfach den Schießknopf gedrückt und schwenken Sie den Entfernungsmesser über mehrere Ziele. Die Fadenkreuze außerhalb des Zielkreises blinken, um den Scanbetrieb anzuzeigen.

DISPLAYANZEIGEN/-SYMBOLE

Das Display des Prime Entfernungsmessers enthält die folgenden Leuchtanzeigen:

Modi für den Winkelbereichsausgleich (Angle Range Compensation)

- Bogenmodus (1)
- Gewehrmodus (2)

Batterieladeanzeige (3)

Zielkreis/Punkt (4)

Laseraktivitäts-/Laserscananzeige (5)

Zielmodi

- BullsEye-Modus (6)
- Brush-Modus (7)

Numerische Primäranzeige liefert die Entfernung in Sichtlinie (8)

Anzeigen für horizontale Distanz mit Vorhaltewert/Geschossabfall für den Gewehrmodus

- MOA-Vorhalteeinheiten ausgewählt (9)
- MIL Vorhalteeinheiten ausgewählt (10)
- IN (Zoll)- oder CM (Zentimeter)-Vorhalteeinheiten ausgewählt (11)
- SD = Variable Einschussdistanz (12)

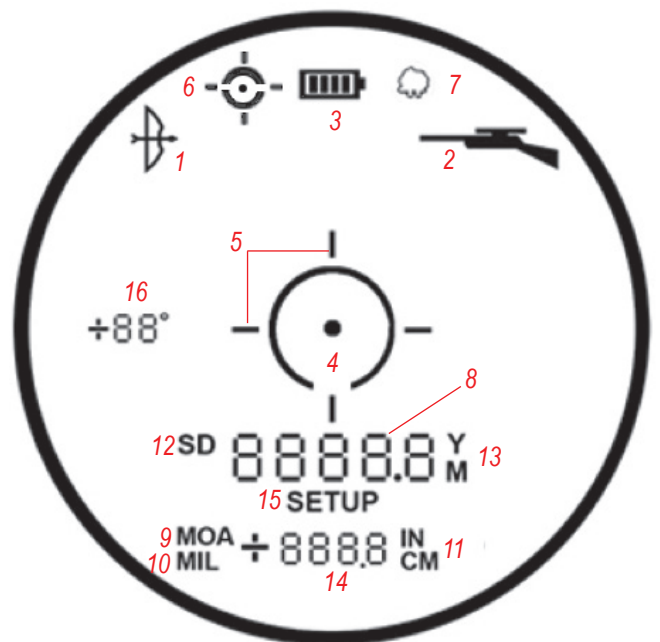
Einheiten für Entfernung (Distanz) (13): Y=Yards, M=Meter

Numerische Sekundäranzeige (14)

(Anzeigen für Vorhaltewert/Geschossabfall für den Gewehrmodus, tatsächliche horizontale Distanz für den Bogenmodus)

Einrichtungsmodus (15)

Winkelanzeige (16)




ZIELMODI


Der Prime Laser-Entfernungsmesser kann in einem der drei verfügbaren Zielmodi betrieben werden, wobei standardmäßig der Standardmodus verwendet wird. Zur Auswahl eines anderen Zielmodus drücken Sie kurz auf die Modustaste, bis die gewünschte Anzeige (BullsEye oder Brush) erscheint. Um zum Standardmodus zurückzukehren, drücken Sie ein weiteres Mal auf die Modustaste, nachdem die Anzeige des Brush-Modus zu sehen ist. Es stehen die folgenden Zielmodi zur Verfügung:

- **Standardmodus mit automatischem SCAN** (LCD-Anzeige - keine) Diese Einstellung ermöglicht eine Entfernungsbestimmung für die meisten Ziele bis zu 1554 oder 1188 Meter (1700 oder 1300 Yards) (abhängig vom Modell). Wird für mäßig reflektierende Ziele verwendet, die für die meisten Entfernungsmessungen typisch sind. Die Mindestdistanz im Standardmodus beträgt 4,5 Meter (5 Yards). Zur Verwendung der automatischen SCAN-Funktion

drücken und halten Sie einfach den Schießknopf und bewegen den Entfernungsmesser dann von Objekt zu Objekt, während Sie den Schießknopf weiter gedrückt halten. Mit dem automatischen SCAN lässt sich die Entfernung kontinuierlich aktualisieren, wenn mehrere Ziele anvisiert werden. Beim Scannen blinken die Fadenkreuzlinien.

- **BullsEye™-Modus mit automatischem SCAN** (LCD-Anzeige (6) - ): Dieser fortgeschrittene Modus ermöglicht Ihnen die einfache Erfassung kleiner Ziele, ohne versehentlich Entfernungen zu Hintergrundzielen zu bestimmen, die stärkere Signale aussenden. Wenn mehr als ein Objekt erfasst wurde, wird nur die Entfernung zum nächstgelegenen Objekt angezeigt.

Bei Verwendung des Entfernungsmessers im BullsEye-Modus richten Sie den Zielkreis auf das Objekt (z. B. Rotwild) aus, dessen Entfernung Sie bestimmen möchten. Drücken und halten Sie als nächstes den Schießknopf und bewegen Sie den Zielkreis langsam über das Rotwild. Wenn der Laserstrahl mehr als ein Objekt festgestellt hat (Rotwild und Bäume im Hintergrund), wird das näher gelegene Objekt (Rotwild) im LCD angezeigt.

- **Brush™-Modus mit automatischem SCAN** (LCD-Anzeige (7) - ): Dieser fortgeschrittene Modus ermöglicht das Ignorieren von Objekten, wie Gestrüpp oder Zweigen, damit nur die Entfernung zu Objekten im Hintergrund angezeigt wird. Wenn mehr als ein Objekt erfasst wurde, wird nur die Entfernung zum am weitesten entfernten Objekt im LCD angezeigt.

Bei Verwendung des Entfernungsmessers im Brush-Modus richten Sie den Zielkreis auf das Objekt aus, dessen Entfernung Sie bestimmen möchten. Drücken und halten Sie als nächstes den Schießknopf und bewegen Sie den Zielkreis langsam über das Objekt. Wenn der Laserstrahl mehr als ein Objekt festgestellt hat (Zweig im Nahbereich und Rotwild im Hintergrund), wird nur die Distanz zum weiter entfernt gelegenen Objekt (Rotwild) angezeigt.

TIPP: Während Sie den Schießknopf drücken, können Sie das Gerät langsam von Objekt zu Objekt bewegen und den Laser dadurch absichtlich veranlassen, mehrere Objekte anzuvisieren. Dadurch stellen Sie sicher, dass nur das am weitesten entfernt gelegene Objekt, das der Laser erkennt, angezeigt wird. Sobald das Gerät ausgeschaltet wurde, schaltet es standardmäßig in den zuletzt eingesetzten Zielmodus.

WINKELBEREICHSAUSGLEICH (ANGLE RANGE COMPENSATION, ARC)


Der Prime Laser-Entfernungsmesser mit ARC™ wurde speziell für Jäger konzipiert. Der Prime Entfernungsmesser verfügt über einen integrierten Neigungsmesser, mit dem sich ein häufiges Problem von Jägern lösen lässt. Bei der Jagd mit Bogen oder Gewehr kann das Zielen in steilem Winkel oft die tatsächliche horizontale Distanz zum Ziel verfälschen. Die Lösung ist ARC™: Bei dem integrierten Neigungsmesser werden die Winkeldaten beim Zielen auf ein hangab- oder -aufwärts befindliches Ziel mittels eines Mikrochips korrigiert. Diese Daten werden anschließend anhand interner Algorithmen ausgewertet. Die vom Anwender auswählbaren ARC-Modi ermöglichen die optimale Anpassung der Leistungsparameter des Geräts auf Ihre jeweilige Situation und Umgebung. Zusammen mit der Standardentfernung „in Sichtlinie“ kann der Prime Laser-Entfernungsmesser beim Loslassen des Schießknopfes auch die wahre horizontale Distanz (im Bogenmodus, siehe den Abschnitt „ARC-MODI“) oder den Geschossabfall/Vorhaltewert (im Gewehrmodus) am unteren Rand des Displays (14), zusammen mit dem Neigungswinkel in Grad, der auf der linken Seite des Displays angegeben wird (16), anzeigen. Ein Jäger mit Bogen auf einem Hochsitz visiert z. B. Rotwild an, das sich hangabwärts in einem Winkel von -52° relativ zu seiner Position befindet. Die Sichtlinienentfernung beträgt 29 Meter (32 Yards), aber auf Basis dieser Zahl wird er wahrscheinlich über das Ziel hinausschießen. Als THD-Entfernung (mit Winkelausgleich) werden 21 Meter (23 Yards) angezeigt. Dies ist die Entfernung, auf die der Jäger seinen Schuss stützen sollte.

VERWENDEN DES EINRICHTUNGSMENÜS

Über das Einrichtungsmenü können zahlreiche Optionen ausgewählt werden, z. B. der ARC-Modus (Bogen, Gewehr usw.) und die bevorzugte Entfernungseinheit (Yards oder Meter). Um das Einrichtungsmenü aufzurufen, halten Sie nach dem Einschalten des Geräts die Modustaste gedrückt, bis „SETUP“ (EINRICHTUNG) im Display (15) angezeigt wird. Sie bleiben im Einrichtungsmenü, bis Sie alle möglichen Einstellungen (variieren je nach ausgewähltem ARC-Modus) geändert oder bestätigt haben und „SETUP“ (EINRICHTUNG) nicht mehr angezeigt wird. Drücken Sie im Einrichtungsmenü die Modustaste, um durch die verfügbaren Elemente zu blättern oder zu schalten. Drücken Sie den Schießknopf, um die aktuell angezeigte Option/Einstellung zu bestätigen und zu speichern.

Das erste Element, das Sie im Einrichtungsmenü auswählen können, ist der ARC-Modus. Drücken Sie die Modustaste, bis der gewünschte Modus angezeigt wird, und drücken Sie anschließend den Schießknopf, um den Modus zu bestätigen und mit der Auswahl weiterer zugehöriger Optionen/Einstellungen fortzufahren. Nähere Informationen zu den verschiedenen ARC-Modi enthält der nächste Abschnitt.

MODI FÜR DEN WINKELBEREICHSAUSGLEICH (ANGLE RANGE COMPENSATION, ARC)

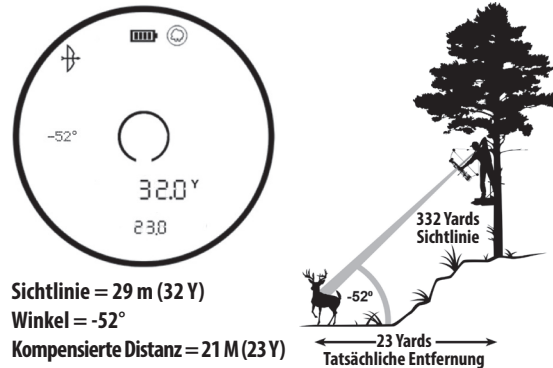
- **Normalmodus (REGULAR)** (rE5): Dieser Modus liefert keinerlei Höhen- oder kompensierte Entfernungsangaben (kein Sekundärdisplay (14), lediglich die Entfernung in Sichtlinie (8)). Wählen Sie diesen Modus für allgemeine Zwecke oder dann aus (drücken Sie im Einrichtungsmenü bei angezeigtem „rE6“ den Schießknopf), wenn der Entfernungsmesser bei der Jagd mit dem Bogen oder dem Gewehr nicht verwendet wird. Nachdem Sie Ihre Auswahl des Normalmodus bestätigt haben, ist das einzige weitere Element im Einrichtungsmenü die Option „Unit of Measure“ (Maßeinheit) (13). Bei Betätigung der Modustaste wechselt die Einheit von der Standardeinstellung „Y“ (Yards) zu „M“ (Meter). Drücken Sie den Schießknopf, um Ihre Auswahl zu bestätigen (Belassen der Einheit auf Yards oder Ändern in Meter), und beenden Sie das Einrichtungsmenü, um zum Normalbetrieb zurückzukehren.
- **Bogenmodus (BOW)** (): Berechnet und zeigt den Neigungsgrad und die resultierende horizontale Entfernung in Yards oder Metern sowie die Entfernung in Sichtlinie an. Wählen Sie diesen Modus für die Jagd mit dem Bogen oder für andere Anwendungen aus (drücken Sie im Einrichtungsmenü bei angezeigtem Bogensymbol (1) den Schießknopf), wenn Sie keine Angaben zu Geschossabfall/Vorhaltewert benötigen. Nachdem Sie Ihre Auswahl des Bogenmodus bestätigt haben, ist das einzige weitere Element im Einrichtungsmenü die Option „Unit of Measure“ (Maßeinheit) (13). Bei Betätigung der Modustaste wechselt die Einheit von der Standardeinstellung „Y“ (Yards) zu „M“ (Meter). Drücken Sie den Schießknopf, um Ihre Auswahl zu bestätigen (Belassen der Einheit auf Yards oder Ändern in Meter), und beenden

Sie das Einrichtungsmenü, um zum Normalbetrieb zurückzukehren.

Beispiel für den Bogenmodus

Die wahre horizontale Distanz wird am unteren Rand des Displays angezeigt (14) (im Wechsel mit dem Neigungswinkel in Grad). Ein Jäger mit Bogen auf einem Hochsitz visiert z. B. Rotwild an, das sich hangabwärts in einem Winkel von -52° relativ zu seiner Position befindet. Die Sichtlinienentfernung beträgt 29 Meter (32 Yards), aber auf Basis dieser Zahl wird er wahrscheinlich über das Ziel hinausschießen. Als THD-Entfernung (mit Winkelausgleich) werden 21 Meter (23 Yards) angezeigt. Dies ist die Entfernung, auf die der Jäger seinen Schuss stützen sollte.

Würden Sie auf 29 Meter (32 Yards) schießen, ginge der Schuss aufgrund des zu großen Winkels über den Kopf des Rotwilds hinaus.



Der Bogenmodus liefert in der numerischen Primäranzeige die Entfernung in Sichtlinie und in der numerischen Sekundäranzeige den Neigungsgrad und die horizontale Distanz. Bushnell® hat in umfangreichen Tests und Gesprächen mit profilierten Experten für die Bogenjagd ermittelt, dass keine zusätzlichen Gruppen für die Bogenballistik notwendig waren. Jäger mit Bogen möchten wissen, wie groß die wahre horizontale Distanz ist, weil sie auf diese Weise Schießübungen machen. Sobald sie eine zuverlässige Entfernungsangabe haben, können sie die erforderlichen Einstellungen vornehmen. Einem Jäger mit Bogen andere Angaben als die horizontale Distanz zu liefern, schafft zusätzliche Verwirrung und Unsicherheit.

Viele Menschen glauben fälschlicherweise, dass Schüsse hangaufwärts aufgrund der Schwerkraft anders ausgeführt werden als Schüsse hangabwärts. Dies ist jedoch nicht durch die Schwerkraft bedingt, sondern eher durch einen Abbildungsfehler in dem Visiersystem, das bei Bögen verwendet wird. Der Visierstift an einem Bogen befindet sich mehrere Zentimeter oberhalb der mechanischen Achse des Pfeils. Wenn ein Jäger z. B. in einem Winkel von 23 Grad an einem Hang hinaufzielt, ist der Pfeil in einem anderen Winkel ausgerichtet.

- **Gewehrmodus/-modi (RIFLE)** (🔫): Berechnet und zeigt den Betrag des Geschossabfalls am Zielpunkt in Zoll, Zentimeter, Mil oder MOA an. Der Betrag des Geschossabfalls wird durch die Entfernung in Sichtlinie zum Zielpunkt, den Neigungsgrad sowie die jeweiligen ballistischen Eigenschaften von Kaliber und Munitionsladung bestimmt. Wenn Sie die Entfernung zu Ihrem Ziel bestimmen, werden die Entfernung in Sichtlinie, der Neigungsgrad und der Geschossabfall/Vorhaltewert in Zoll, Zentimeter, Mil oder MOA von 100 bis 800 Yards/Meter angezeigt, bei einer maximalen Neigung von $\pm 70^\circ$.

Der Anwender kann eine von acht Ballistikgruppen (bezeichnet als A, B, C, D, E, F, G und H) für Zentralfeuergewehre und zwei Ballistikgruppen (bezeichnet als I und J) für Schwarzpulver-/Vorderlader auswählen, jeweils mit einer Formel, die eine bestimmte Kombination von Kaliber und Ladung repräsentiert. Die Ballistikgruppen werden vom Anwender über das Einrichtungsmenü ausgewählt. Drücken Sie nach Aufruf des Einrichtungsmenüs (durch Betätigung der Modustaste für einige Sekunden) kurz auf die Modustaste, bis das blinkende Gewehrsymbol (2) zusammen mit dem Buchstaben für die Ballistikgruppe Ihrer bevorzugten Munition (oder Ladung) angezeigt wird.

Die richtige Auswahl der Ballistikgruppe

Bushnell Ingenieure haben aktuell verfügbare Ballistikdaten untersucht und viele der besonders beliebten Kaliber und Ladungen in acht Ballistikgruppen eingeteilt (A,B,C,D,E,F,G,H). Wenn Sie wissen, welches Kaliber und welche Ladung Sie verwenden, sehen Sie einfach das Diagramm durch, um zu ermitteln, welche der acht Ballistikgruppen zu der jeweiligen Kombination von Ladung und Kaliber passt. Bei Vorderladern haben wir mit PowerBelt-Projektilen gearbeitet, um Ballistikdaten in zwei Ballistikgruppen (I und J) einzuarbeiten. Nachstehend sind einige der beliebtesten Kombinationen von Kaliber und Ladung aufgeführt. Eine vollständige Liste der etwa 2000 Kombinationen von Kaliber und Ladung finden Sie auf der Website von Bushnell (www.bushnell.com).

Beliebte Kombinationen von Kaliber und Ladung

Federal Cartridge 0,224 Durchm. 22-250 Rem, 55 g Bear Claw mit 3600 FPS	G
Federal Cartridge 0,224 Durchm. 22-250 Rem, 60 g Partition mit 3500 FPS	F
Remington Arms 0,224 Durchm. 22-250 Remington Arms, 50 g V-Max mit 3725 FPS	H
Remington Arms 0,224 Durchm. 22-250 Remington Arms, 55 g PSP mit 3680 FPS	G
Winchester 0,224 Durchm. 22-250 Rem, 55 g Ballistic Silvertip mit 3680 FPS	H
Winchester 0,224 Durchm. 22-250 Rem, 55 g PSP mit 3680 FPS	G
Federal Cartridge 0,277 Durchm. 270 Win, 150 g Ballistic Tip mit 3060 FPS	F
Federal Cartridge 0,277 Durchm. 270 Win, 150 g Partition mit 3000 FPS	F
Remington Arms 0,277 Durchm. 270 Win, 140 g PSPCL Ultra mit 2925 FPS	E
Remington Arms 0,277 Durchm. 270 Win, 150 g SPCL mit 2850 FPS	D

Winchester 0,277 Durchm. 270 Win, 150 g Partition Gold mit 2930 FPS	E
Winchester 0,277 Durchm. 270 Win, 150 g PP-Plus mit 2950 FPS	E
Federal Cartridge 0,308 Durchm. 30-06 Spring, 180 g AccuBond mit 2700 FPS	D
Federal Cartridge 0,308 Durchm. 30-06 Spring, 180 g Bear Claw mit 2700 FPS	D
Remington Arms 0,308 Durchm. 30-06 Springfield, 180 g A-Frame mit 2700 FPS	D
Remington Arms 0,308 Durchm. 30-06 Springfield, 180 g BRPT mit 2700 FPS	D
Winchester 0,308 Durchm. 30-06 Sprg, 180 g FailSafe mit 2700 FPS	D
Winchester 0,308 Durchm. 30-06 Sprg, 180 g Partition Gold mit 2750 FPS	D
Federal Cartridge 0,308 Durchm. 300 WSM, 180 g AccuBond mit 2960 FPS	F
Federal Cartridge 0,308 Durchm. 300 WSM, 180 g Bear Claw mit 3025 FPS	F
Winchester 0,308 Durchm. 300 WSM, 180 g Ballistic Silver Tip mit 3010 FPS	F
Winchester 0,308 Durchm. 300 WSM, 180 g Fail Safe mit 2970 FPS	F
Remington Arms 0,308 Durchm. 300 R.S.A.U.M., 180 g PSPCL Ultra mit 2960 FPS	E
Remington Arms 0,308 Durchm. 300 Wby Mag, 180 g PSPCL mit 3120 FPS	F

Nachdem Sie ermittelt haben, welche Ballistikgruppe Ihrer Kombination von Kaliber und Ladung entspricht, wählen Sie den Buchstaben dieser Ballistikgruppe zusammen mit dem Gewehrmodus aus. Mit der internen Formel wird der Betrag des Geschossabfalls/Vorhaltewertes in Zoll oder Zentimeter basierend auf der Entfernung, dem Winkel und den Ballistikdaten für Ihre Kombination von Kaliber und Ladung ermittelt.

Vorgehensweise, wenn mein Kaliber/meine Ladung nicht aufgeführt ist

Auch wenn wir großen Wert darauf gelegt haben, möglichst viele Kaliber und Markennamen in unsere Ballistiktabellen aufzunehmen, werden ständig neue Ladungen entwickelt. Darüber hinaus laden einige Schützen ihre eigene Munition, die ganz spezifische ballistische Eigenschaften besitzt. Wenn Sie Ihre Ladung in unseren Ballistiktabellen nicht finden, können Sie immer noch die Geschossabfall-Funktion des Laser-Entfernungsmessers verwenden. Schießen Sie Ihr Gewehr wie oben erwähnt auf 90 Meter (100 Yards) ein. Danach schießen Sie mit dem Gewehr auf 270 Meter (300 Yards), ohne das Zielfernrohr zu verstellen. Messen Sie den Geschossabfall am Zielpunkt. Wählen Sie anhand dieses Abfalls die Ballistikgruppe aus der nachstehenden Tabelle aus. Wenn Sie auf größere Distanzen schießen, sollten Sie den Geschossabfall auf 450 Meter (500 Yards) überprüfen. Da es bei Gewehrläufen, -kammern und -handbeladungen enorme Schwankungen gibt, sollten Sie die Ballistikeinstellung gründlich testen, bevor Sie tatsächlich auf die Jagd gehen. Abhängig von Ihren Tests müssen Sie möglicherweise eine Gruppe weiter- oder zurückgehen.

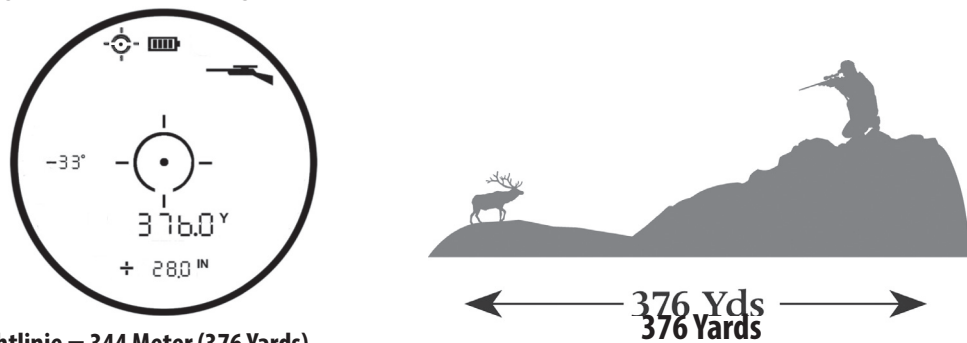
Nachdem Sie Ihre Auswahl des Gewehrmodus mit der benötigten Ballistikgruppe bestätigt haben (durch Betätigen des Schießknopfes, wenn er im Display angezeigt wird), ist das nächste Element die Option „Unit of Measure“ (Maßeinheit) (13). Bei Betätigung der Modustaste wechselt die Einheit von der Standardeinstellung „Y“ (Yards) zu „M“ (Meter). Drücken Sie den Schießknopf, um Ihre Auswahl zu bestätigen (Belassen der Einheit auf Yards oder Ändern in Meter).

Anschließend wird „SD“ angezeigt, was für „Sight-In Distance“, also die Einschussdistanz steht. Mit jeweils kurzer Betätigung der Modustaste durchlaufen Sie die Auswahlmöglichkeiten 90, 135, 180 oder 270 Meter (100, 150, 200 oder 300 Yards). Drücken Sie den Schießknopf, um die Einstellung zu bestätigen und zu speichern, wenn die gewünschte Einschussdistanz angezeigt wird.

Abschließend müssen Sie eine Auswahl unter den Formaten für die Geschossabfall-/Vorhaltedaten treffen, die von der numerischen Sekundäranzeige (14) im Wechsel mit dem Neigungswinkel in Grad geliefert werden: IN (Zoll)*, ML (Milliradian) oder MOA (Bogenminuten). Drücken Sie jeweils kurz auf die Modustaste, um die drei Optionen zu durchlaufen, und drücken Sie den Schießknopf, um die Einstellung zu bestätigen und zu speichern, sobald das gewünschte Format für den Geschossabfall angezeigt wird. *Hinweis: Wenn die Maßeinheit auf Meter (M) festgelegt wurde, wird der Geschossabfall in CM (Zentimetern) statt in Zoll berechnet und angezeigt.

Beispiel für den Gewehrmodus

Die Sichtlinie beträgt 338 Meter (376 Yards), der Winkel beträgt -33 Grad und der Geschossabfall/Vorhaltewert beträgt 0,7 Meter (28 Zoll). ARC berücksichtigt nicht nur die Ballistikdaten auf Basis Ihrer Kombination von Kaliber und Ladung für Distanzen von 90-720 Meter (100-800 Yards), sondern nimmt auch einen Ausgleich der Winkel bei Schüssen hangaufwärts oder hangabwärts vor, die sich ebenfalls auf den Geschossabfall auswirken.



Sichtlinie = 344 Meter (376 Yards)

Winkel = -33°

Vorhaltewert/Geschossabfall = 0,7 Meter (28 Zoll)

-33° Winkel/0,7 Meter (28 Zoll) Vorhaltewert

Die hochmoderne Digitaltechnik des Prime Entfernungsmessers ermöglicht es dem Jäger oder Schützen, genau zu wissen, wie er für einen effektiven Schuss anlegen muss. Diese Informationen sollten als hilfreiche Anleitung oder als Hilfsmittel behandelt werden und keinesfalls die Praxis und Vertrautheit mit Ihrem Gewehr, der Patrone und der Ladung

ersetzen. Wir möchten Sie zu Schießübungen auf verschiedene Entfernungen anregen, damit Sie wissen, wie sich Ihr Gewehr, die Patrone und die Ladung unter verschiedenen Bedingungen verhalten. Sie müssen stets wissen, was sich hinter Ihrem Projektil befindet. Wenn dies nicht der Fall ist, verzichten Sie auf den Schuss.

- **Reticle Select (Absehen auswählen):** Mit der letzten im Einstellungsmenü verfügbaren Option können Sie den von Ihnen bevorzugten Absehtyp für die Mitte der Anzeige (für alle Modi) auswählen. Drücken Sie die Modustaste, um zwischen den Optionen „Circle“ (Kreis), „Dot“ (Punkt) und „Circle with Dot“ (Kreis mit Punkt) (*dies ist der Standardmodus*) zu wechseln. Drücken Sie den Feuerknopf, um die Auswahl des von Ihnen bevorzugten Absehens zu bestätigen und das Einstellungsmenü zu verlassen.

REINIGUNG UND ALLGEMEINE PFLEGE

Die Objektive Ihres Bushnell Prime Laser-Entfernungsmessers sind für höchste Lichtdurchlässigkeit vollständig mehrfach beschichtet. Wie bei allen mehrfach beschichteten Optiken ist bei der Linsenpflege besondere Vorsicht geboten. Befolgen Sie diese Tipps für die korrekte Reinigung der Linsen:

- Pusten Sie zuerst Staub und Schmutz von der Linse (oder benutzen Sie einen weichen Linsenpinsel).
- Entfernen Sie Schmutz oder Fingerabdrücke mit dem mitgelieferten Mikrofasertuch durch kreisförmiges Wischen. Durch ein grobes Tuch oder unnötiges Reiben können Kratzer auf der Linsenoberfläche entstehen, die zu dauerhaften Schäden führen können. Das mitgelieferte waschbare Mikrofasereinigungstuch ist ideal für die regelmäßige Reinigung der Optik. Hauchen Sie die Linse leicht an, um für eine geringe Menge an Feuchtigkeit zu sorgen, und wischen Sie die Linse behutsam mit dem Mikrofasertuch ab.
- Für eine gründlichere Reinigung können Sie Tücher oder Reinigungsmittel für fotografische Linsen oder Isopropanol verwenden. Tragen Sie das Reinigungsmittel immer auf das Reinigungstuch auf – niemals direkt auf die Linse.

Alle äußeren Linsenoberflächen verfügen über unsere neue EXO Barrier™-Beschichtung (zusätzlich zur vollständigen Multi-Beschichtung). EXO Barrier ist schlichtweg die beste Linsenschutzbeschichtungstechnologie, die Bushnell je entwickelt hat. EXO Barrier wird am Ende des Beschichtungsprozesses hinzugefügt, verbindet sich auf molekularer Ebene mit der Linse und füllt die mikroskopischen Poren des Glases aus. Das Ergebnis ist eine ultraglatte Beschichtung, die Wasser, Öl, Nebel, Staub und Schmutz abstößt – Regen, Schnee, Fingerabdrücke und Schmutz bleiben nicht haften. EXO Barrier ist langanhaltend: die gebundene Beschichtung vergeht mit der Zeit und bei normaler Abnutzung nicht.

Der Entfernungsmesser wurde hergestellt und getestet, um Wassereinwirkung bis zu Standard IPX4 zu widerstehen. Er ist wasserdicht, sollte aber nicht untergetaucht werden.

FEHLERBEHEBUNG

Zerlegen Sie Ihren Laser-Entfernungsmesser niemals. Nicht autorisierte Wartungsversuche können irreparablen Schaden verursachen und machen die Garantie ungültig.

Wenn sich das Gerät nicht einschaltet, leuchtet das Display nicht auf:

- Drücken Sie die Einschalt-/Feuertaste.
- Überprüfen und ersetzen Sie ggf. die Batterie. Wenn das Gerät nicht auf Tastendrücke reagiert, ersetzen Sie die Batterie durch eine CR2 3-Volt-Lithiumbatterie guter Qualität.

Wenn sich das Gerät ausschaltet (Display schaltet sich aus, wenn versucht wird, den Laser zu aktivieren):

- Die Batterie ist schwach oder von schlechter Qualität. Ersetzen Sie die Batterie durch eine neue 3-Volt-Lithiumbatterie (CR2).

Wenn die Zielentfernung nicht ermittelt werden kann:

- Stellen Sie sicher, dass das Display leuchtet.
- Stellen Sie sicher, dass die Einschalt-/Feuertaste gedrückt wird.
- Stellen Sie sicher, dass nichts, wie Ihre Hand oder Ihr Finger, die Objektivlinsen an der Vorderseite des Entfernungsmessers blockiert, die die Laserimpulse aussenden und empfangen.
- Stellen Sie sicher, dass das Gerät beim Drücken des Einschalt-/Feuertaste ruhig gehalten wird.

HINWEIS: Die letzte Entfernungsmessung muss nicht gelöscht werden, bevor ein anderes Ziel gemessen wird. Zielen Sie einfach auf das neue Ziel, indem Sie das Fadenkreuz im Display verwenden, drücken Sie die Einschalttaste und halten Sie diese gedrückt, bis ein neuer Entfernungsmesswert angezeigt wird.

Technische Daten

SKU	Vergröß. x Durchm. Obj.-Linse	Max. Entfernung (Y/M) (Reflektierendes Ziel)	Entfernung zum Baum (Y/M)	Entfernung zum Rotwild (Y/M)	Genauigkeit der Entfernungsbestimmung	Optische Beschichtungen	Länge (in/mm)	Gewicht (oz/g)
LP1700SBL	6x 24 mm	1,700/1,554	1,000/914	700/640	+/- 1 yd	Komplett mehrfach vergütet, EXO Barrier™	4,3/109	6,0/170
LP1300SBL	6x 24 mm	1,300/1,189	800/732	600/549	+/- 1 yd	Komplett mehrfach vergütet, EXO Barrier™	4,3/109	6,0/170



Produkte, die ab April 2017 hergestellt wurden, fallen unter die Bushnell Lifetime Ironclad-Garantie. Die Ironclad-Garantie ist eine lebenslange Garantie, die sich über die Lebensdauer dieses Produkts erstreckt. Jedes Produkt hat eine definierte Lebensdauer; die Lebensdauer kann von 1 bis 30 Jahren reichen. Die Lebensdauer dieses Produkts finden Sie auf der unten angegebenen Website und/oder auf der für dieses Produkt spezifischen Bushnell-Webseite.

Wir gewährleisten, dass dieses Produkt frei von Material- und Verarbeitungsfehlern ist und alle für die Lebensdauer dieses Produkts geltenden Leistungsstandards erfüllt. Wenn dieses Produkt aufgrund eines von der Garantie abgedeckten Defektes nicht ordnungsgemäß funktioniert, reparieren oder ersetzen wir es nach unserem Dafürhalten und senden es kostenlos an Sie zurück. Diese Garantie ist vollständig übertragbar und erfordert keine Quittung, Garantiekarte oder Produktregistrierung. Diese Garantie gilt nicht für Folgendes: elektronische Komponenten, Batterien, kosmetischer Schäden, durch nicht ordnungsgemäße Wartung entstandene Schäden, Verlust, Diebstahl, Schäden durch unbefugte Reparatur, Änderung oder Demontage, vorsätzliche Beschädigung, missbräuchliche oder unsachgemäße Verwendung und gewöhnlicher Verschleiß. Diese Garantie erlischt, wenn der Datumsstempel oder andere Seriennummern vom Produkt entfernt wurden.

Um die vollständige Garantie einzusehen und Informationen darüber zu erhalten, wie Sie einen Service im Rahmen der Garantie anfordern können, besuchen Sie unsere Website unter www.bushnell.com/warranty. Alternativ können Sie eine Kopie der Garantie anfordern, indem Sie uns unter +1 80 04 23 35 37 anrufen oder uns unter einer der folgenden Adressen schreiben:

Adresse für die USA:

Bushnell Outdoor Products
Attn.: Repairs
9200 Cody
Overland Park, Kansas 66214


Adresse für KANADA:

Bushnell Outdoor Products
Attn.: Repairs
140 Great Gulf Drive, Unit B
Vaughan, Ontario L4K 5W1

Wenden Sie sich bei Produkten, die außerhalb der USA oder Kanada erworben wurden, bitte an Ihren Händler vor Ort, um die jeweils gültigen Garantieinformationen zu erfragen.

Diese Garantie gewährt Ihnen bestimmte gesetzlich verankerte Rechte.
Unter Umständen haben Sie noch weitere Rechte, die von Land zu Land variieren.

© 2019 Bushnell Outdoor Products

 **WARNUNG:** Dieses Produkt verwendet eine Lithium-basierte Batterie. Lithiumbatterien können überhitzen und Schäden verursachen, wenn sie physisch missbraucht werden. Verwenden Sie keine Batterien, die beschädigt sind oder Anzeichen von physischem Verschleiß aufweisen.

FCC-HINWEIS

Dieses Gerät wurde getestet und entspricht den Grenzwerten für ein digitales Gerät der Klasse B, entsprechend dem Teil 15 der FCC-Regeln. Diese Grenzwerte bieten einen ausreichenden Schutz gegen Interferenzen bei häuslichen Installationen. Dieses Gerät erzeugt, gebraucht und kann Hochfrequenz-Energie ausstrahlen und kann, falls nicht nach der Anleitung installiert und benutzt, zur Beeinträchtigung von Funkverkehr führen.

Es wird jedoch keinerlei Garantie dafür übernommen, dass die Störungen bei einer bestimmten Installation nicht auftreten. Sollte dieses Gerät die Störungen im Rundfunk- und Fernsehempfang verursachen, was durch Aus- und Einschalten des Gerätes festgestellt werden kann, empfehlen wir, die Störung durch eine oder mehrere der folgenden Maßnahmen zu beheben:

- Richten Sie die Empfangsantenne neu aus oder ändern Sie ihren Standort.
- Vergrößern Sie die Entfernung zwischen Gerät und Funkempfänger.
- Schließen Sie das Gerät und den Funkempfänger an Steckdosen von getrennten Stromkreisen an.
- Wenden Sie sich an Ihre Vertriebsstelle oder an einen erfahrenen Radio-/Fernsehtechniker, wenn Sie weitere Unterstützung benötigen.

Es müssen abgeschirmte Schnittstellenkabel für das Gerät verwendet werden, um den Grenzwerten für Digitalgeräte gemäß Unterabschnitt B von Teil 15 der FCC-Bestimmungen zu entsprechen.

Spezifikationen und Designs können ohne vorherige Ankündigung oder Verpflichtungen auf Seiten des Herstellers geändert werden.



FDA-SICHERHEIT

Laserprodukt der Klasse 1 gemäß IEC 60825-1:2007.

Entspricht 21 CFR 1040.10 und 1040.11 für Laser-Produkte, außer bei Abweichungen gemäß „Laser Notice No. 50“ vom 24. Juni 2007.

Achtung: Es gibt keine Benutzersteuerung, -anpassungen oder -verfahren. Die Durchführung anderer als der hier angegebenen Verfahren kann zu einem Zugriff auf unsichtbares Laserlicht führen.

Patent #'s: 7,658,031 | 8,081,298

Patent Pending: 6,542,302

Entsorgung von elektrischen und elektronischen Geräten *(Gültig in der EU und anderen europäischen Ländern mit getrennten Sammelsystemen)*

Dieses Gerät enthält elektrische und/oder elektronische Bauteile und darf deshalb nicht im normalen Haushaltsmüll entsorgt werden. Stattdessen sollte es an den entsprechenden Sammelstellen für Recycling der jeweiligen Gemeinden abgegeben werden. Ihnen entstehen hierdurch keine Kosten.

Wenn die Ausrüstung austauschbare (wiederaufladbare) Batterien enthält, müssen diese zuvor auch herausnehmen und, falls nötig, entsprechend der geltenden Vorschriften entsorgt werden (siehe auch die jeweiligen Anmerkungen in der Anleitung dieses Produkts).

Weitere Informationen zu diesem Thema sind in Ihrer Gemeinde-/Stadtverwaltung, Ihrem regionalen Abfallentsorgungsunternehmen oder in dem Geschäft, in dem Sie Ihr Equipment gekauft haben, erhältlich.



Grazie per aver acquistato il nuovo telemetro laser Bushnell® Prime™.

Nel presente manuale viene illustrato come utilizzare le funzioni del telemetro per ottimizzare l'esperienza di visione e come prendersi cura di questo strumento. Prima di utilizzare il telemetro, leggere attentamente le istruzioni.

AVVERTENZA: come per qualsiasi dispositivo laser, non è consigliabile guardare direttamente le emissioni per lunghi periodi di tempo con lenti di ingrandimento.

INTRODUZIONE

Il Bushnell® Prime™ è un telemetro laser premium ultracompatto dotato della più recente tecnologia digitale, in grado di fornire letture della distanza precise da 5 a 1.554 metri (da 5 a 1.700 iarde) (per il modello LP1700SBL. La distanza massima è 1189 m/1300 iarde per il modello LP1300SBL). Con dimensioni di 3,8 x 10,9 x 7,6 cm e un peso di 170 g, il Prime™ è in grado di garantire l'acquisizione del bersaglio in tempi estremamente rapidi, con una precisione di +/- 1 metro alla distanza massima. Il telemetro laser Prime è dotato della tecnologia ARC™ brevettata di Bushnell (compensazione dell'angolazione con Intelligenza balistica), un nuovo motore di mira, letture e reattività più uniformi, un brillante display LCD con trasmissione della luce più elevata e struttura resistente all'acqua (IPX4), oltre al rivestimento EXO™ Barrier Coating sulle ottiche.

**Nota: è possibile ottenere distanze massime maggiori o minori a seconda delle proprietà riflettenti del bersaglio particolare e delle condizioni ambientali presenti nel momento in cui viene misurata la distanza di un oggetto. Il colore, la finitura della superficie, la dimensione e la forma del bersaglio influiscono sul potere riflettente e sulla distanza. Quanto più chiaro è il colore, tanto maggiore è la distanza. Ad esempio, il bianco è un colore estremamente riflettente e consente distanze maggiori rispetto al nero, che è il colore meno riflettente. Una finitura brillante fornisce una distanza maggiore rispetto a una opaca. Un bersaglio piccolo è più difficile da misurare rispetto a un bersaglio più grande. Anche l'angolazione rispetto al bersaglio influisce sulla misurazione. Mirare a un bersaglio a un'angolazione di 90° (quando la superficie del bersaglio è perpendicolare al percorso aereo degli impulsi di energia emessi) offre un buon campo di mira, mentre un'angolazione molto stretta permette un campo di mira limitato. Inoltre, le condizioni di luce (ad esempio la quantità di luce solare) influiscono sulle capacità di mira dell'unità. Minore è il livello di luce (ad esempio con cielo nuvoloso), maggiore è la capacità di mira massima dell'unità. Viceversa, giornate molto soleggiate riducono la capacità di mira massima dell'unità.*

DESCRIZIONE DELLA TECNOLOGIA DIGITALE IMPIEGATA

Il telemetro laser Prime emette impulsi di energia a raggi infrarossi, invisibili, ma sicuri per la vista. Il microprocessore del telemetro Prime permette di ottenere sempre letture immediate e precise. La sofisticata tecnologia digitale calcola istantaneamente le distanze misurando l'intervallo necessario a ciascun impulso emesso per raggiungere il bersaglio e ritornare al telemetro.



ATTIVAZIONE DELLA BATTERIA/INDICATORE DURATA DELLA BATTERIA

Prima del primo utilizzo: rimuovere il coperchio del vano batteria sollevando l'apposita linguetta e ruotando in senso antiorario. Rimuovere e smaltire il disco di plastica rosso che copre il terminale positivo della batteria, quindi riposizionare il coperchio della batteria. **NOTA:** si consiglia di sostituire la batteria al litio CR2 da 3 volt almeno una volta ogni 12 mesi. Inserirli nel vano iniziando dal lato negativo.



Icona dell'indicatore di carica della batteria (3):

Carica completa

Carica della batteria a 3/4

Carica della batteria a 1/2

Carica della batteria a 1/4

Icona della batteria lampeggiante: la batteria deve essere sostituita e l'unità non è utilizzabile.

FUNZIONAMENTO DI BASE

- Osservando attraverso il telemetro laser, premere e rilasciare una volta il pulsante Power/Fire per attivare il display.
- Se il display appare sfocato, ruotare l'oculare in gomma/regolazione diottrica in entrambe le direzioni, fino a quando il display appare nitido.
- Posizionando il reticolo circolare (situato al centro del display) su un bersaglio distante almeno 4,5-5,5 metri (5-6 iarde), tenere premuto il pulsante Fire finché la lettura della distanza non viene visualizzata al di sotto del reticolo circolare.
- Una volta acquisita la distanza, rilasciare il pulsante Fire. I 4 mirini appena al di fuori del reticolo circolare scompariranno a indicare che il laser non viene più trasmesso. Il display rimane attivo e visualizza l'ultima misurazione della distanza per circa 15 secondi, fino a quando il display si spegne automaticamente per estendere la durata della batteria.
- È possibile premere nuovamente il pulsante Fire in qualsiasi momento per calcolare la distanza da un nuovo bersaglio. Per attivarlo nuovamente, premere di nuovo il pulsante.
- Per una scansione del laser su un'area e vedere letture di distanza continuamente aggiornate, continuare a premere il pulsante Fire e far scorrere il telemetro su più bersagli. I mirini al di fuori del reticolo circolare lampeggeranno a indicare l'operazione di scansione.

ICONE/INDICATORI DEL DISPLAY

Il display del telemetro Prime è dotato dei seguenti indicatori illuminati:

Modalità di compensazione dell'angolazione

- Modalità Arco (1)
- Modalità Fucile (2)

Indicatore di carica della batteria (3)

Punto/Reticolo circolare di mira (4)

Indicatore laser attivo/scansione (5)

Modalità di puntamento

- Modalità BullsEye (6)
- Modalità Brush (7)

La visualizzazione numerica primaria visualizza la distanza della linea di visuale (8)

Indicatori della distanza orizzontale di tenuta/caduta del proiettile per la modalità Fucile

- Unità di tenuta selezionate in MOA (9)
- Unità di tenuta selezionate in MIL (10)
- Unità di tenuta selezionate in CM (centimetri) o IN (pollici) (11)
- SD = distanza di visuale variabile (12)

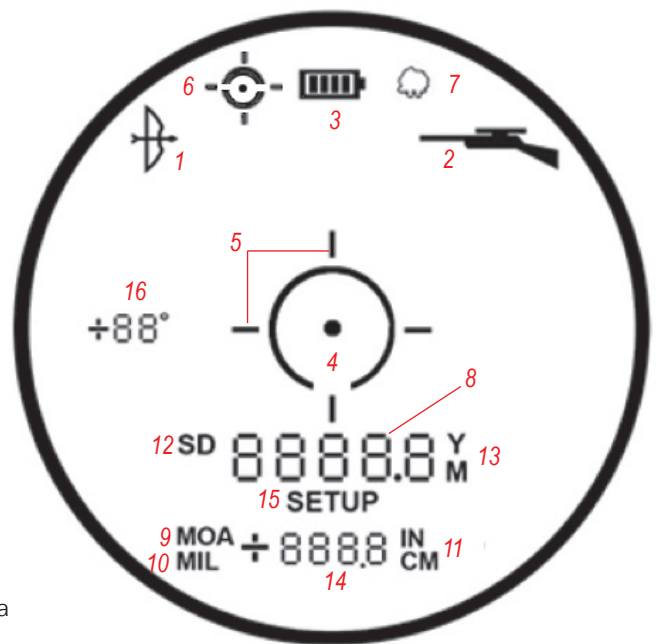
Unità di misura dell'intervallo (distanza) (13): Y=iarde, M=metri

Visualizzazione numerica secondaria (14)

Tenuta/caduta del proiettile per la modalità Fucile, Vera distanza orizzontale per la modalità Arco

Modalità SETUP (15)

Indicatore angolo (16)



MODALITÀ DI PUNTAMENTO

Il telemetro laser Prime può essere utilizzato selezionando una modalità di puntamento tra le tre disponibili; la modalità Standard è l'impostazione predefinita. Per selezionare una modalità di puntamento diversa, premere brevemente il pulsante Mode fino alla visualizzazione dell'indicatore desiderato (BullsEye o Brush). Per tornare alla modalità Standard, premere di nuovo il pulsante Mode dopo la visualizzazione dell'indicatore della modalità Brush. Le modalità di puntamento sono indicate di seguito:

- **Modalità Standard con funzione Automatic SCAN** (indicatore LCD, nessuno): questa impostazione permette di calcolare la distanza della maggior parte dei bersagli, fino a 1.550 o 1.180 metri (1.700 o 1.300 iarde). È utile per oggetti con riflettività moderata, tipici nella maggior parte delle situazioni. La distanza minima in questa modalità standard è 4,5 metri (5 iarde). Per utilizzare la funzione Automatic SCAN, tenere premuto il pulsante Fire e spostare il telemetro da oggetto a oggetto sempre tenendo premuto il pulsante. Automatic SCAN aggiorna continuamente la distanza mentre si acquisiscono nuovi bersagli. Durante la scansione le linee del reticolo lampeggiano.
- **Modalità BullsEye™ con Automatic SCAN** (indicatore LCD (6) -): questa modalità avanzata consente una facile acquisizione di bersagli e selvaggina di piccole dimensioni, evitando di acquisire accidentalmente la distanza di oggetti più lontani che riflettono un segnale di intensità più alta. Una volta acquisito più di un oggetto, verrà visualizzata solo la distanza dell'oggetto più vicino.

Con il telemetro in modalità BullsEye, allineare il reticolo circolare con l'oggetto (per esempio, un cervo) di cui si desidera calcolare la distanza. Quindi, tenere premuto il pulsante Fire e spostare lentamente il reticolo circolare sul cervo. Se il raggio laser riconosce più di un oggetto (ad esempio, il cervo e un gruppo di alberi dietro di esso), nell'LCD verrà visualizzata solo la distanza dall'oggetto (cervo) più vicino.

- **Modalità Brush™ con Automatic SCAN** (indicatore LCD (7) - 🌿): questa modalità avanzata consente di ignorare oggetti come cespugli e rami di alberi, in modo da visualizzare solo la distanza degli oggetti più lontani. Una volta acquisito più di un oggetto, nell'LCD verrà visualizzata solo la distanza dell'oggetto più lontano.

Con il telemetro in modalità Brush, allineare il reticolo circolare all'oggetto di cui si desidera calcolare la distanza. Quindi, tenere premuto il pulsante Fire e spostare lentamente il reticolo circolare sull'oggetto. Se il raggio laser riconosce più di un oggetto (per esempio, un ramo d'albero in primo piano e un cervo retrostante), verrà visualizzata solo la distanza dall'oggetto (cervo) più lontano.

SUGGERIMENTO: mentre si tiene premuto il pulsante Fire, è possibile spostare lentamente il dispositivo da un oggetto a un altro e costringere intenzionalmente il laser a colpire più oggetti, per assicurarsi che venga visualizzato solo l'oggetto più lontano fra quelli riconosciuti dal laser. Quando il dispositivo è spento, l'unità torna sempre all'ultima modalità di puntamento usata.

MODALITÀ DI COMPENSAZIONE DELL'ANGOLAZIONE (ARC)

Il telemetro laser Prime con tecnologia ARCTM è stato concepito concentrando l'attenzione in particolare sui cacciatori. Il telemetro Prime è provvisto di un inclinometro integrato che risolve un problema che per anni ha afflitto i cacciatori. I cacciatori muniti di arco e fucile hanno faticato in presenza di angoli di salita e di discesa estremi, poiché essi alterano la vera distanza orizzontale dal bersaglio. La soluzione ARCTM: un inclinometro integrato invia i dati dell'angolazione a un chip di elaborazione quando si mira ad oggetti che risultano in salita o in discesa. Questi dati sono poi combinati mediante formule algoritmiche interne. Le modalità ARC selezionabili dall'utente consentono di regolare i parametri delle prestazioni dell'unità in base alle condizioni specifiche e all'ambiente. Oltre alla distanza standard della "linea di visuale", quando si rilascia il pulsante di accensione Fire, il display del telemetro laser Prime è in grado di visualizzare anche la vera distanza orizzontale (nella modalità Arco, vedere la sezione MODALITÀ ARC) o la caduta/tenuta (nella modalità Fucile) nella parte inferiore del display (14), insieme all'angolo di inclinazione in gradi, indicato sul lato sinistro del display (16). Per esempio, un cacciatore con arco posizionato presso un albero potrebbe mirare a un cervo che si trova in una discesa con angolazione di -52° rispetto alla sua posizione. La distanza della linea di visuale è 29 metri (32 iarde), ma in base a questo calcolo potrebbe mirare "sopra" al bersaglio. La distanza THD (con compensazione dell'angolazione) è di 21 metri (23 iarde). Questa è la distanza su cui il cacciatore dovrebbe basare il tiro.

UTILIZZO DEL MENU SETUP

Il menu Setup è utilizzato per selezionare varie opzioni, come la modalità ARC (Arco, Fucile, ecc.) e l'unità di misura della distanza (iarde o metri) preferita. Per accedere al menu Setup, dopo aver acceso l'unità tenere premuto il pulsante Mode fino alla visualizzazione di "SETUP" sul display (15). Si rimarrà nel menu Setup fino alla modifica o alla conferma di tutte le impostazioni possibili (varia in base alla modalità ARC) e fino a quando "SETUP" non è più visualizzato. Nel menu Setup, premere il pulsante Mode per scorrere gli elementi disponibili o attivarli e disattivarli. Premere il pulsante Fire per confermare e salvare l'opzione/impostazione visualizzata.

Il primo elemento selezionabile nel menu Setup è la modalità ARC. Premere il pulsante Mode fino a quando viene visualizzata l'icona desiderata, quindi premere il pulsante Fire per confermare e continuare a selezionare altre opzioni/impostazioni correlate. Ulteriori dettagli relativi alle varie modalità ARC sono disponibili nella sezione successiva.

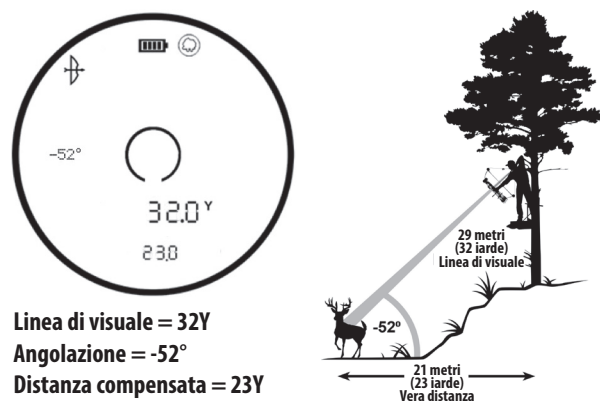
MODALITÀ ARC (COMPENSAZIONE DELL'ANGOLAZIONE)

- **Modalità REGOLARE** (rE6): questa modalità non fornisce alcun angolo di elevazione o informazioni sulla compensazione della distanza (nessuna visualizzazione secondaria) (14), ma solamente la distanza della linea di visuale (8). Selezionare questa modalità (premere il pulsante Fire quando "rE6" è visualizzato durante la configurazione) per un utilizzo generico o quando non si utilizza il telemetro per applicazioni con arco o fucile. Dopo aver confermato la selezione della modalità Regolare, l'unico altro elemento nel menu Setup è l'opzione Unità di misura (13). Premendo il pulsante Mode, è possibile passare dall'unità predefinita "Y" (iarde) a "M" (metri) e viceversa. Premere il pulsante Fire per confermare la selezione (lasciare le unità impostate su iarde o cambiare in Metri) e uscire dal menu Setup, tornando al funzionamento normale.
- **Modalità ARCO** (↔): calcola e visualizza il grado di inclinazione e la vera distanza orizzontale in iarde o metri, oltre alla distanza in linea di visuale. Selezionare questa modalità (premere il pulsante Fire con l'icona dell'arco (1) visualizzata durante la configurazione) per la caccia con l'arco o un altro utilizzo, se non sono necessarie informazioni sulla caduta/tenuta. Dopo aver confermato la selezione della modalità Arco, l'unico altro elemento nel menu Setup è l'opzione Unità di misura (13). Premendo il pulsante Mode, è possibile passare dall'unità predefinita "Y" (iarde) a "M" (metri) e viceversa. Premere il pulsante Fire per confermare la selezione (lasciare le unità impostate su iarde o cambiare in Metri) e uscire dal menu Setup, tornando al funzionamento normale.

Esempio di modalità Arco

La vera distanza orizzontale è visualizzata nella parte inferiore del display (14) e si alterna con l'angolo di inclinazione in gradi. Per esempio, un cacciatore con arco posizionato presso un albero potrebbe mirare a un cervo che si trova in una discesa con angolazione di -52° rispetto alla sua posizione. La distanza della linea di visuale è 29 metri (32 iarde), ma in base a questo calcolo potrebbe mirare "sopra" al bersaglio. La distanza THD (con compensazione dell'angolazione) è di 21 metri

(23 iarde). Questa è la distanza su cui il cacciatore dovrebbe basare il tiro. Mirando a 29 metri (32 iarde), si tirerebbe sopra il cervo a causa della forte angolazione.



In modalità ARCO, la distanza della linea di visuale è indicata nella visualizzazione primaria, mentre l'inclinazione e la distanza orizzontale sono indicate nella visualizzazione numerica secondaria. Attraverso prove approfondite e interviste a esperti di caccia con arco di alto profilo, Bushnell® ha stabilito che non erano necessari gruppi balistici multipli per l'arco. I cacciatori con arco vogliono conoscere la vera distanza orizzontale, poiché è in questo modo che effettuano il tiro; una volta che la conoscono con certezza, possono effettuare le regolazioni necessarie. Fornire ai cacciatori con arco altre misure oltre alla distanza orizzontale crea ulteriore confusione e incertezza.

Molte persone ritengono erroneamente che i tiri in salita si comportino diversamente dai tiri in discesa a causa della gravità. Tuttavia, non è a causa della gravità, ma piuttosto di un'aberrazione del sistema di mira utilizzato sugli archi. Su un arco, il punto di mira si trova diversi centimetri sopra l'asse meccanico della freccia. Per esempio, mirando a 23° su un pendio, la freccia si trova a un'angolazione diversa.

- **Modalità FUCILE** (🔫): calcola e visualizza l'entità della caduta del proiettile rispetto al bersaglio in pollici, centimetri, Mil o MOA. La misura della caduta del proiettile è determinata dalla distanza della linea di visuale dal bersaglio, dal grado di elevazione e dalle caratteristiche balistiche specifiche del calibro e della carica delle munizioni. Durante il calcolo della distanza dal bersaglio, i valori della linea di visuale, del grado di elevazione e della caduta/tenuta espressi in pollici, centimetri, Mil o MOA saranno visualizzati da 100 a 800 metri/iarde, con un'inclinazione massima di +/- 70°.

L'utente può selezionare uno degli otto gruppi balistici (identificati con A, B, C, D, E, F, G e H) per fucili a sparo centrale e due gruppi balistici (identificati con I e J) per fucili a polvere nera/ad avancarica, dove ogni formula rappresenta una determinata combinazione di calibro e carichi. L'utente può selezionare i gruppi balistici nel menu Setup. Dopo essere entrati nel menu Setup (tenendo premuto il pulsante Mode per alcuni secondi), premere brevemente il pulsante Mode fino alla visualizzazione dell'icona lampeggiante del fucile (2)(2), assieme alla lettera del gruppo balistico delle munizioni (o della carica) preferite.

Come selezionare il gruppo balistico appropriato

Gli ingegneri Bushnell hanno svolto ricerche sui dati balistici attualmente disponibili e hanno raggruppato molti dei calibri e dei carichi più comuni in otto gruppi balistici (A, B, C, D, E, F, G, H). Una volta che si conoscono il calibro e la carica usati per sparare, è sufficiente osservare la tabella per determinare quale degli otto gruppi balistici corrisponde al proprio calibro e la carica particolare. Per i fucili ad avancarica, abbiamo lavorato con PowerBelt Bullets per incorporare i dati balistici in 2 gruppi balistici (I e J). Quelle elencate di seguito sono alcune delle combinazioni calibro/carica più comuni. Un elenco completo di circa 2000 combinazioni di calibri e carichi è disponibile sul sito Web di Bushnell (www.bushnell.com).

Combinazioni di calibri e carichi comuni

Federal Cartridge.224 dia. 22-250 Rem, 55 gr. Bear Claw a 3600 fps	G
Federal Cartridge.224 dia. 22-250 Rem, 60 gr. Partition a 3500 fps	F
Remington Arms .224 dia. 22-250 Remington Arms, 50 gr. V-Max a 3725 FPS	H
Remington Arms .224 dia. 22-250 Remington Arms, 55 gr. PSP a 3680 FPS	G
Winchester .224 dia. 22-250 Rem, 55 gr. Ballistic Silvertip a 3680 FPS	H
Winchester .224 dia. 22-250 Rem, 55 gr. PSP a 3680 FPS	G
Federal Cartridge .277 dia. 270 Win, 150 gr. Ballistic Tip a 3060 fps	F
Federal Cartridge .277 dia. 270 Win, 150 gr. Partition a 3000 fps	F
Remington Arms .277 dia. 270 Win, 140 gr. PSPCL Ultra a 2925 FPS	E
Remington Arms .277 dia. 270 Win, 150 gr. SPCL a 2850 FPS	D
Winchester .277 dia. 270 Win, 150 gr. Partition Gold a 2930 FPS	E
Winchester .277 dia. 270 Win, 150 gr. PP-Plus a 2950 FPS	E
Federal Cartridge .308 dia. 30-06 Spring, 180 gr. AccuBond a 2700 FPS	D
Federal Cartridge .308 dia. 30-06 Spring, 180 gr. Bear Claw a 2700 FPS	D
Remington Arms .308 dia. 30-06 Springfield, 180 gr. A-Frame a 2700 FPS	D

Remington Arms .308 dia. 30-06 Springfield, 180 gr. BRPT a 2700 FPS	D
Winchester .308 dia. 30-06 Sprg, 180 gr. FailSafe a 2700 FPS	D
Winchester .308 dia. 30-06 Sprg, 180 gr. Partition Gold a 2750 FPS	D
Federal Cartridge .308 dia. 300 WSM, 180 gr. AccuBond a 2960 fps	F
Federal Cartridge .308 dia. 300 WSM, 180 gr. Bear Claw a 3025 fps	F
Winchester .308 dia. 300 WSM, 180 gr. Ballistic Silver Tip a 3010 FPS	F
Winchester .308 dia. 300 WSM, 180 gr. Fail Safe a 2970 FPS	F
Remington Arms .308 dia. 300 R.S.A.U.M., 180 gr. PSPCL Ultra a 2960 FPS	E
Remington Arms .308 dia. 300 Wby Mag, 180 gr. PSPCL a 3120 FPS	F

Dopo aver stabilito il gruppo balistico corrispondente al proprio calibro e carica, selezionare la sua lettera assieme alla modalità Fucile. La formula interna determinerà la misura della caduta/tenuta del proiettile in pollici o centimetri, in base alla distanza, all'angolazione e alla balistica del calibro e della carica in uso.

Come comportarsi se il calibro/la carica non sono riportati nell'elenco?

Nonostante la grande attenzione nell'includere nelle nostre tabelle il maggior numero possibile di marche e di calibri, nuove cariche vengono sviluppate in continuazione. Inoltre, alcuni tiratori caricano le proprie munizioni con caratteristiche balistiche esclusive. Se non è possibile trovare la propria carica nelle tabelle balistiche, è possibile usare la funzione di caduta del proiettile del telemetro laser. Come nell'esempio precedente, puntare il fucile a 91 metri (100 iarde). Quindi sparare con il fucile, senza regolare il cannocchiale di puntamento, a 274 metri (300 iarde). Misurare la caduta del proiettile dal punto di mira. Usando questa misura della caduta, selezionare il gruppo balistico dalla tabella di seguito. Se si spara a una distanza maggiore, controllare la caduta del proiettile a 500 iarde. Poiché esiste una grande variabilità nelle canne, nelle camere e nei carichi manuali dei fucili, prima di andare realmente a caccia è necessario mettere alla prova in modo approfondito l'impostazione balistica. A seconda delle prove effettuate, potrebbe essere necessario spostarsi di un gruppo balistico verso l'alto o verso il basso.

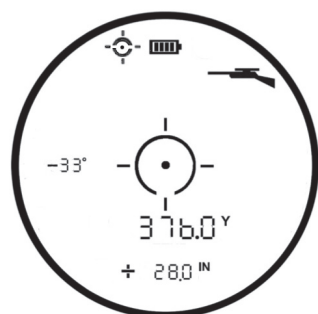
Dopo aver confermato la selezione della modalità Fucile con il gruppo balistico necessario (premendo il pulsante Fire mentre è visualizzato sul display), la selezione successiva è l'Unità di misura (13). Premendo il pulsante Mode, è possibile passare dall'unità predefinita "Y" (iarde) a "M" (metri) e viceversa. Premere il pulsante Fire per confermare la selezione (lasciare le unità impostate su iarde o cambiare in Metri).

Successivamente, verrà visualizzato "SD", che indica la distanza di visuale. Premendo brevemente il pulsante Mode, sarà possibile passare attraverso la selezione di 100, 150, 200 o 300 iarde. Quando viene visualizzata la distanza di visuale preferita, premere il pulsante Fire per confermare e salvare l'impostazione.

Infine, è possibile scegliere il formato di visualizzazione dei dati della tenuta/caduta del proiettile che verranno indicati nella visualizzazione numerica secondaria (14): IN (pollici)*, ML (Mil) o MOA (moa). Premere brevemente il pulsante della Mode per scorrere le 3 opzioni, premendo il pulsante Fire per confermare e salvare l'impostazione quando viene visualizzato il formato preferito di caduta del proiettile. *Nota: se l'unità di misura è stata impostata su Metri (M), la caduta del proiettile verrà calcolata e visualizzata in CM (centimetri), anziché in pollici.

Esempio di modalità Fucile

La linea di visuale è 343 metri (376 iarde), l'angolazione è -33° e la caduta/tenuta è 71 cm (28 pollici). L'ARC non solo tiene in considerazione i dati balistici in base al calibro e alla carica da distanze di 91-731 metri (100-800 iarde), ma esegue anche la compensazione di angolazioni in salita e in discesa, che contribuiscono a influenzare la caduta del proiettile.



Linea di visuale = 376 iarde
Angolazione = -33°
Tenuta/Caduta = 28 pollici



376 Yds
343 metri
(376 iarde)
-33° angolo/28" tenuta

La tecnologia digitale all'avanguardia del telemetro Prime permette al cacciatore o al tiratore di conoscere con precisione la tenuta per un tiro efficace. Queste informazioni devono essere considerate come un'utile guida o strumento e in nessun modo devono sostituire la pratica e la conoscenza del proprio fucile, delle proprie cartucce e della propria carica. Incoraggiamo gli utenti a praticare il tiro a distanze diverse, in modo che possano conoscere le prestazioni del proprio fucile, delle proprie cartucce e della propria carica in diverse condizioni. È necessario sapere sempre cosa si trova dietro il proiettile; in caso contrario, non sparare.

- **Reticle Select:** L'ultima opzione disponibile nel menu Setup consente di selezionare il tipo di reticolo preferito per il centro del display (per tutte le modalità). Premere il pulsante Mode per passare dall'una all'altra delle opzioni: cerchio, punto, cerchio e punto (*opzione predefinita*). Premere il tasto Fire per confermare la selezione del reticolo preferito e uscire dal menu Setup.

PULIZIA E CURA GENERALE

Le lenti del telemetro laser Bushnell Prime hanno un rivestimento multistrato completo, per la massima trasmissione della luce. Come nel caso di qualsiasi ottica multistrato, prestare particolare attenzione durante la pulizia delle lenti. Per una pulizia appropriata delle lenti, attenersi ai consigli riportati di seguito.

- Rimuovere la polvere o i detriti eventualmente presenti sulle lenti (o utilizzare una spazzola morbida per lenti).
- Per rimuovere impronte o sporcizia, pulire con il panno in microfibra in dotazione, strofinando con movimento circolare. L'uso di un panno ruvido o lo sfregamento non necessario possono graffiare la superficie della lente e provocare danni permanenti. Il panno in microfibra lavabile in dotazione è l'ideale per la pulizia ordinaria delle ottiche. È sufficiente inumidire la lente con il fiato e strofinarla delicatamente con il panno in microfibra.
- Per una pulizia più accurata, è possibile utilizzare dei tessuti specifici per obiettivi fotografici e detergenti liquidi per la pulizia di obiettivi di tipo fotografico o alcol isopropilico. Applicare sempre il fluido sul panno e mai direttamente sulle lenti.

Le superfici di tutte le lenti esterne sono dotate di un nuovo rivestimento EXO Barrier™ (oltre al rivestimento multistrato). EXO Barrier, semplicemente, è la migliore tecnologia di rivestimento protettivo che Bushnell abbia mai sviluppato. Aggiunta alla fine del processo di rivestimento, EXO Barrier forma legami molecolari con le lenti e riempie i pori microscopici del vetro. Il risultato è un rivestimento multistrato repellente per acqua, olio, nebbia, polvere e detriti: pioggia, neve, impronte digitali e sporcizia non aderiscono. EXO Barrier è creata per durare: il rivestimento legato non si attenua con il passare del tempo o la normale usura.

Il telemetro è prodotto e testato per resistere all'esposizione all'acqua fino agli standard IPX4. È resistente all'acqua, ma non deve essere immerso.

RISOLUZIONE DEI PROBLEMI

Non smontare mai il telemetro laser. Eventuali interventi non autorizzati possono causare danni irreparabili e, al tempo stesso, rendere nulla la garanzia.

Se l'unità non si accende, il display non si illumina:

- Premere il tasto Power/Fire.
- Controllare e, se necessario, sostituire la batteria. Se l'unità non risponde alla pressione dei tasti, sostituire la batteria con una nuova batteria al litio CR2 da 3 volt di buona qualità.

Se l'alimentazione dell'unità è bassa (il display si spegne quando si tenta di azionare il laser):

- La batteria è scarica o di scarsa qualità. Sostituire la batteria con una nuova batteria al litio da 3 volt (CR2).

Se non è possibile ottenere la distanza del bersaglio:

- Assicurarsi che il display sia illuminato.
- Assicurarsi che il tasto Power/Fire sia stato premuto.
- Assicurarsi che nulla, come la mano o il dito, blocchi gli obiettivi in corrispondenza della parte anteriore del telemetro che emettono e ricevono gli impulsi laser.
- Assicurarsi che l'unità sia tenuta ferma mentre si preme il tasto Power/Fire.

NOTA: prima di effettuare la misurazione della distanza di un altro bersaglio, non è necessario cancellare la lettura dell'ultima distanza. È sufficiente mira al nuovo bersaglio utilizzando il reticolo del display, premere il pulsante di accensione e tenerlo premuto fino a quando viene visualizzata la lettura della nuova distanza.

Specifiche tecniche

SKU	Ingr. x diam. lente obiett.	Distanza max. (Y/M) (bersaglio riflettente)	Distanza da albero (Y/M)	Distanza da cervo (Y/M)	Precisione distanza	Rivestimenti ottici	Lunghezza (pollici/mm)	Peso (once/g)
LP1700SBL	6x 24mm	1,700/1,554	1,000/914	700/640	+/- 1 iarda	Rivestimento multistrato completo EXO Barrier™	4,3/109	6,0/170
LP1300SBL	6x 24mm	1,300/1,189	800/732	600/549	+/- 1 iarda	Rivestimento multistrato completo EXO Barrier™	4,3/109	6,0/170



I prodotti fabbricati a partire da aprile 2017 sono coperti dalla Garanzia Bushnell Lifetime Ironclad. La Garanzia Ironclad è una garanzia a vita completa che copre la vita utile di questo prodotto. Ogni prodotto ha una durata di vita definita, che può variare da 1 a 30 anni. La durata di questo prodotto è riportata sul sito Web elencato di seguito e/o sulla pagina Web Bushnell specifica di questo prodotto.

Si garantisce che questo prodotto è esente da difetti di materiali e di lavorazione e che soddisferà tutti gli standard di prestazioni rappresentati per tutta la durata di vita del prodotto. Se questo prodotto non funziona correttamente a causa di un difetto coperto provvederemo, a nostra esclusiva discrezione, a ripararlo o sostituirlo e rispedirlo gratuitamente. Questa garanzia è completamente trasferibile e non richiede ricevuta, scheda di garanzia o registrazione del prodotto. La presente garanzia non copre quanto segue: componenti elettronici, batterie, danni estetici, danni causati dalla mancata corretta manutenzione del prodotto, perdita, furto, danni dovuti a riparazione, modifica o smontaggio non autorizzati, danni intenzionali, uso improprio o abuso e normale usura. La presente Garanzia decade se la data stampata o altri codici di serializzazione sono stati rimossi dal prodotto.

Per visualizzare la garanzia completa e trovare dettagli su come richiedere l'assistenza in garanzia, visitare il nostro sito Web all'indirizzo www.bushnell.com/warranty. In alternativa, è possibile richiedere una copia della garanzia chiamandoci al numero 1-800-423-3537 o scrivendoci a uno dei seguenti indirizzi:

Negli U.S.A. spedire a:
Bushnell Outdoor Products
Attn.: Repairs
9200 Cody
Overland Park, Kansas 66214

IN CANADA spedire a:
Bushnell Outdoor Products
Attn.: Repairs
140 Great Gulf Drive, Unit B
Vaughan, Ontario L4K 5W1

Per prodotti acquistati fuori da Stati Uniti o Canada, rivolgersi al rivenditore per le clausole pertinenti della garanzia.

La presente garanzia ti riconosce specifici diritti legali.
Potresti avere altri diritti, i quali variano da paese a paese.

©2019 Bushnell Outdoor Products



AVVERTENZA: questo prodotto utilizza una batteria al litio. Le batterie al litio possono surriscaldarsi e causare danni se maltrattate fisicamente. Non utilizzare batterie danneggiate o che mostrano segni di usura fisica.

NOTA FCC

Questo dispositivo è stato collaudato e risulta essere conforme ai limiti previsti per i dispositivi digitali di Classe B ai sensi della Parte 15 delle normative FCC. Questi limiti sono concepiti per fornire ragionevole protezione contro interferenze nocive nelle installazioni residenziali. Questo dispositivo genera, utilizza e può irradiare energia a radiofrequenza e, se non installato e utilizzato come specificato nelle istruzioni, può causare interferenze dannose alle comunicazioni radio.

Tuttavia, non c'è alcuna garanzia che le interferenze non si verifichino in particolari installazioni. Se il dispositivo causa interferenze pericolose alla ricezione radio o televisiva (il che può essere verificato spegnendo e accendendo il dispositivo), si consiglia di cercare di correggere l'interferenza adottando una o più tra le seguenti misure:

- Riorientare o riposizionare l'antenna di ricezione.
- Aumentare la distanza tra il dispositivo e il ricevitore.
- Collegare il dispositivo a una presa su un circuito diverso da quello a cui è connesso il ricevitore.
- Consultare il rivenditore o un tecnico radio/TV esperto per assistenza.

È necessario utilizzare con il dispositivo il cavo di interfaccia schermato per garantire la conformità ai limiti previsti per i dispositivi digitali a norma della Sottoparte B della Parte 15 delle normative FCC.

Specifiche, istruzioni e design del presente prodotto sono soggetti a variazione senza alcun preavviso o ulteriore obbligo da parte del produttore.



SICUREZZA FDA

Prodotto laser di classe 1 in conformità con IEC 60825-1:2007.

Conforme con 21 CFR 1040.10 e 1040.11 per i prodotti laser tranne che per le deviazioni di cui alla Laser Notice N. 50, datata 24 giugno 2007.

Attenzione: non ci sono controlli, regolazioni o procedure dell'utente. Prestazioni o procedure diverse da quelle qui specificate possono determinare l'accesso alla luce laser invisibile.

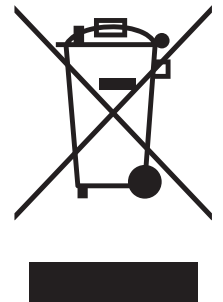
Patent #'s: 7,658,031 | 8,081,298
Patent Pending: 6,542,302

Smaltimento di apparecchiature elettriche ed elettroniche *(Vigente presso i Paesi UE e altri Paesi europei con sistemi di raccolta differenziata dei rifiuti)*

Il presente apparecchio componenti elettriche e/o elettroniche e non può pertanto essere smaltito come rifiuto domestico ordinario. Al contrario, dovrebbe essere smaltito presso punti di raccolta destinati al riciclaggio, in base alle istruzioni delle amministrazioni locali. Tale operazione non prevede alcun costo per l'utente.

Qualora l'apparecchio dovesse contenere batterie (ricaricabili) sostituibili, anche queste devono essere prima rimosse e, laddove previsto, smaltite in conformità alle normative specifiche (cfr. altresì i commenti specifici nelle presenti istruzioni sull'unità).

Per ulteriori informazioni su questa tematica, rivolgersi all'amministrazione locale, all'azienda incaricata della raccolta dei rifiuti o alla rivendita presso cui è stato acquistato l'apparecchio.



Bushnell®